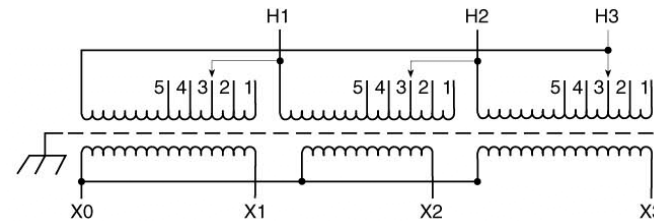
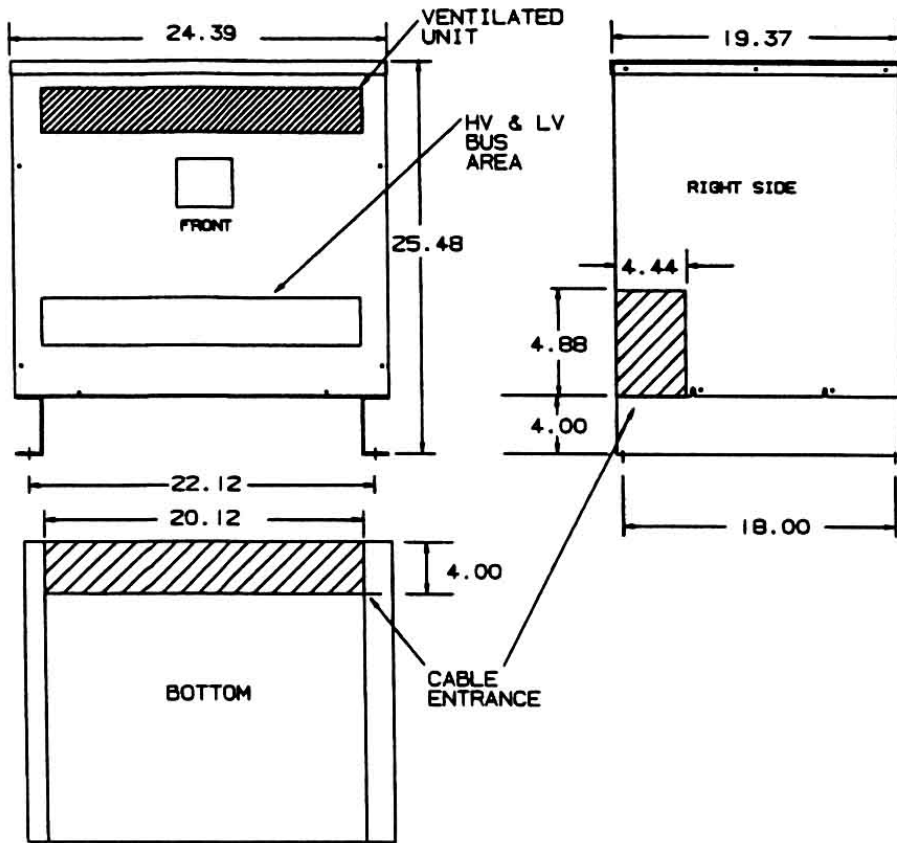


# Revisions



Type No.

DRAWN:

DATE: August 27, 2015

CASE

KVA	CATALOG NUMBER	VOLTAGE		WIRING DIAGRAM	WEIGHT	PHASE	FREQ.
		HIGH	LOW				
40	<b>DTGA-040-4S</b>	460Δ	230Y/133	1	395 Lbs	3φ	60 Hz

Winding Rise:	150°C
Insulation:	220°C
Sound Level:	45db

### TYPICAL PERFORMANCE DATA

Regulation @ 100% PF:	
Standards:	UL/CSA

Windings:	AL
Impedance:	4.4%

Typical Efficiency:	
No Load Losses:	
Full Load Losses:	

Control  
7

A