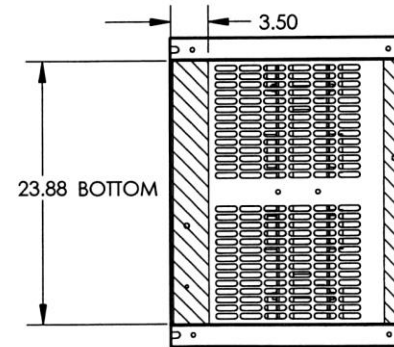
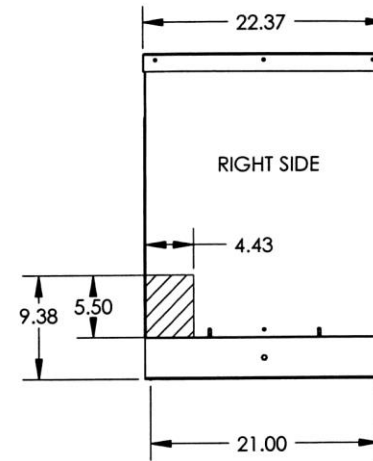
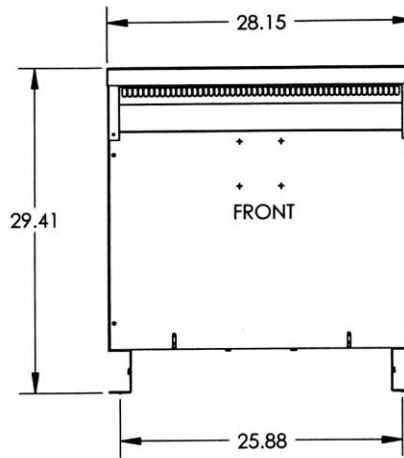
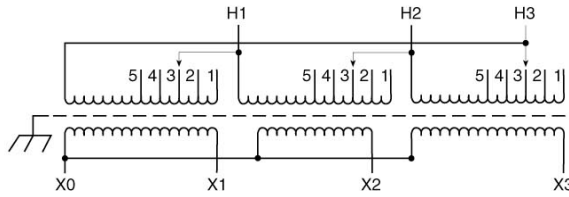


# Revisions



Primary Volts	%	Connect Leads to Tap No.
483	105	1
472	102.5	2
460	100	3
449	97.5	4
437	95	5
Secondary Volts		
230		X1, X2, X3
133 1 phase		X1 & X0 X2 & X0 X3 & X0

NOTE: PRIMARY AND SECONDARY BUS AREA IN FRONT OF CASE.

KEY: DENOTES CONDUIT AREAS

KVA	CATALOG NUMBER	VOLTAGE		WEATHER SHIELD	WEIGHT	PHASE	FREQ.
		HIGH	LOW				
75	<b>DTGA-075-4S</b>	460Δ	230Y/133	WS-A-2	570 Lbs	3φ	60 Hz

Winding Rise:	150°C
Insulation:	220°C
Sound Level:	50db

### TYPICAL PERFORMANCE DATA

Regulation @ 100% PF:	
Standards:	UL/CSA

Windings:	AL
Impedance:	

Typical Efficiency:	
No Load Losses:	
Full Load Losses:	

Type No.

DRAWN:

DATE: June 5, 2014

## CASE 2

		Control 7	A
--	--	--------------	---

