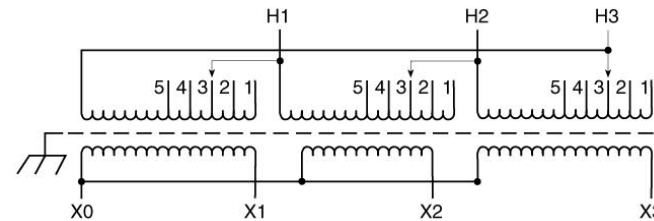
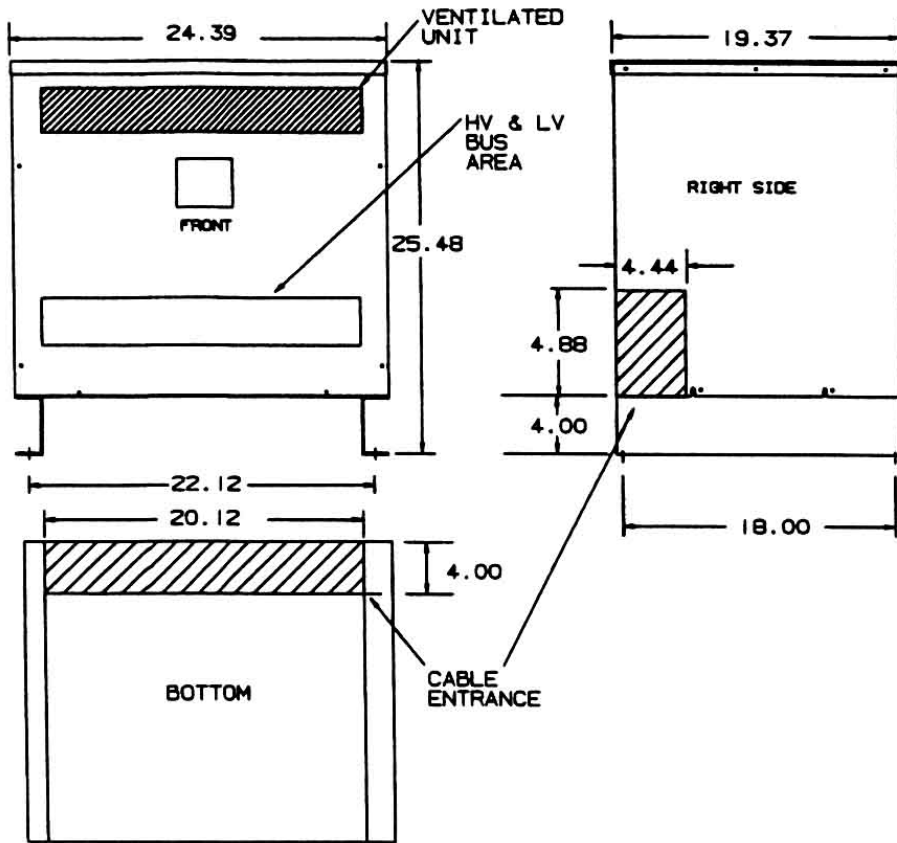


Revisions



Type No.

DRAWN:

DATE: August 27, 2015

CASE

| KVA | CATALOG NUMBER | VOLTAGE | | WIRING DIAGRAM | WEIGHT | PHASE | FREQ. |
|-----|--------------------|---------|----------|----------------|---------|-------|-------|
| | | HIGH | LOW | | | | |
| 34 | DTGB-034-4S | 460Δ | 460Y/233 | 1 | 340 Lbs | 3φ | 60 Hz |

| | |
|---------------|-------|
| Winding Rise: | 150°C |
| Insulation: | 220°C |
| Sound Level: | 45db |

TYPICAL PERFORMANCE DATA

| | |
|-----------------------|--------|
| Regulation @ 100% PF: | |
| Standards: | UL/CSA |

| | |
|------------|------|
| Windings: | AL |
| Impedance: | 5.4% |

| | |
|---------------------|--|
| Typical Efficiency: | |
| No Load Losses: | |
| Full Load Losses: | |

Control
7

A