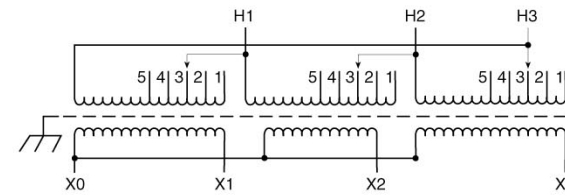
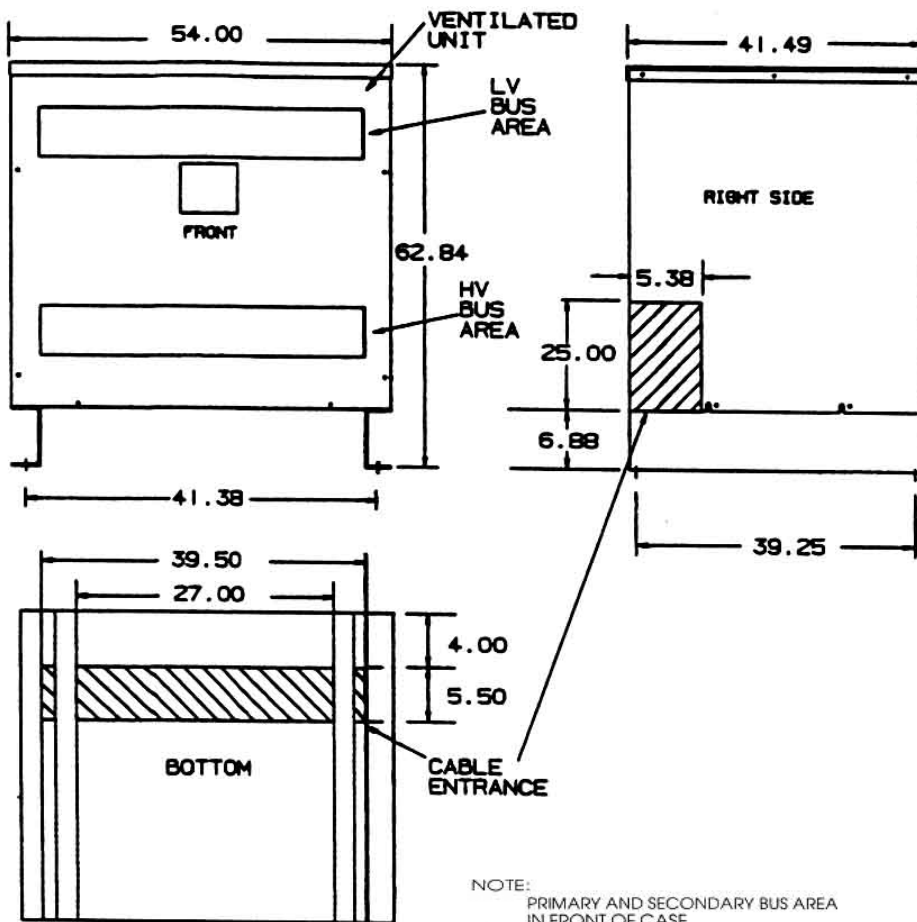


Revisions



Primary Volts	%	Connect Leads to Tap No.
483	105	1
472	102.5	2
460	100	3
449	97.5	4
437	95	5
Secondary Volts		
460		X1, X2, X3
266 1 phase		X1 & X0 X2 & X0 X3 & X0

NOTE: PRIMARY AND SECONDARY BUS AREA IN FRONT OF CASE.

KEY: DENOTES CONDUIT AREAS

KVA	CATALOG NUMBER	VOLTAGE		WEATHER SHIELD	WEIGHT	PHASE	FREQ.
		HIGH	LOW				
660	DTGB-0660-4S	460Δ	460Y/266	WS-A-6	3700 Lbs	3φ	60 Hz

Winding Rise:	150°C
Insulation:	220°C
Sound Level:	65db

TYPICAL PERFORMANCE DATA

Regulation @ 100% PF:	2.02%
Standards:	UL/CSA

Windings:	AL
Impedance:	6.83%

Typical Effic @35%	98.84%
No Load Losses:	1,611 W
Full Load	13,576

Control
7

A

Type No.

DRAWN:

DATE: August 27, 2015

CASE

ACME ELECTRIC