

Revisions

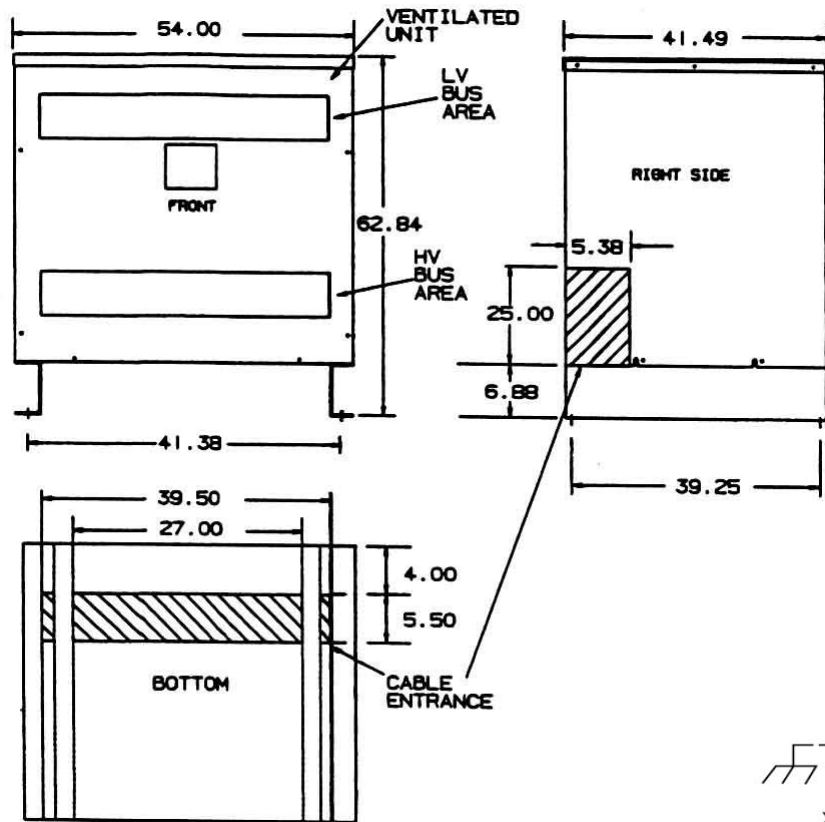
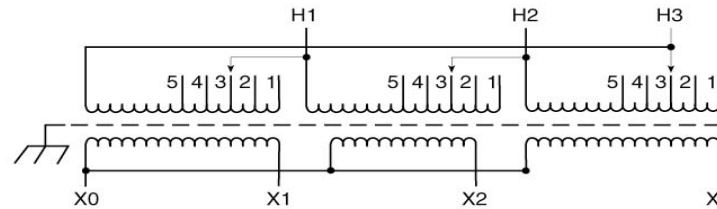


Diagram 1

Primary Volts	%	Connect Leads to Tap No.
483	105	1
472	102.5	2
460	100	3
449	97.5	4
437	95	5
Secondary Volts		
460		X1, X2, X3
266		X1 & X0
1 phase		X2 & X0
		X3 & X0



KVA	CATALOG NUMBER	VOLTAGE		WEATHER SHIELD	WEIGHT	PHASE	FREQ.
		HIGH	LOW				
770	DTGB-0770-4S	460Δ	460Y/266	WS-A-6	4044 Lbs	3φ	60 Hz

Winding Rise:	150°C
Insulation:	220°C
Sound Level:	55db

TYPICAL PERFORMANCE DATA

Regulation @ 100% PF:	2.00%
Standards:	UL/CSA

Windings:	AL
Impedance:	6.74%

Typical Effic@35%:	98.73%
No Load Losses:	1,781 W
Full Load Losses:	15,629 W

Type No.

DRAWN:

DATE: July 16, 2010

CASE 6

Control
7

A

ACME ELECTRIC