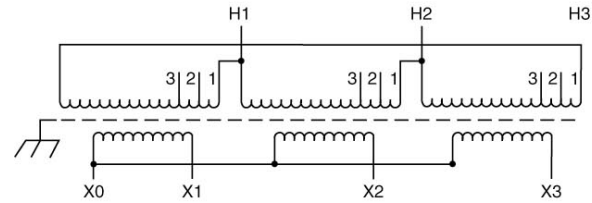
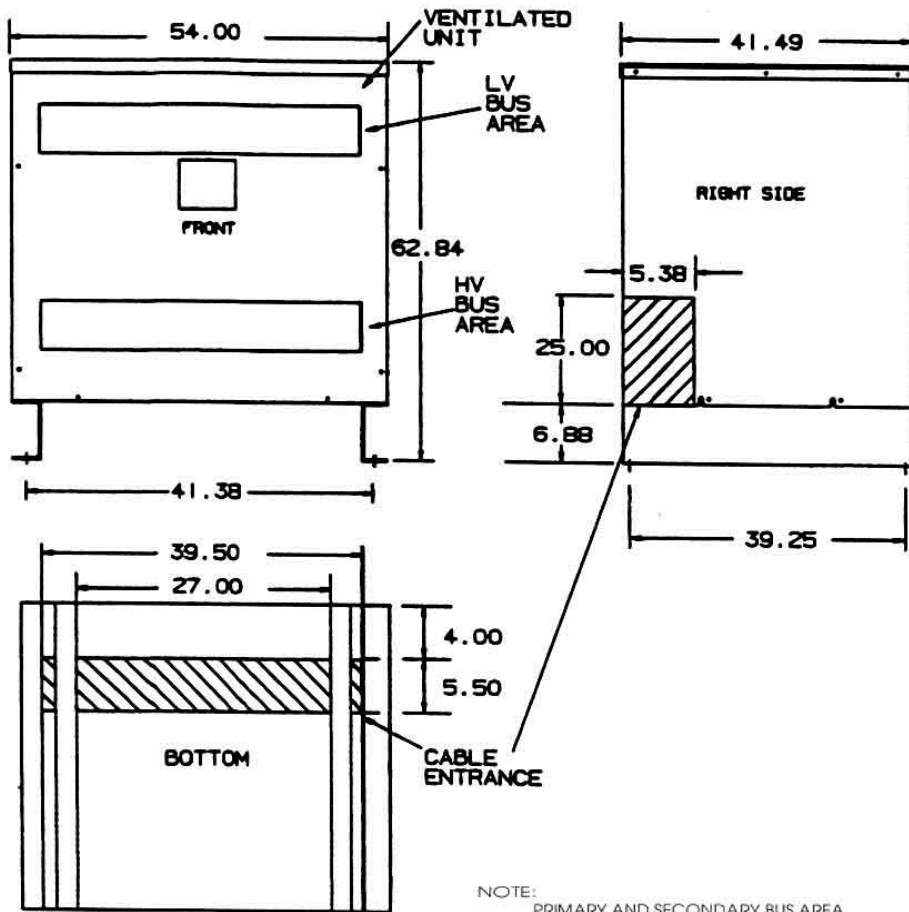


# Revisions



Primary Volts	%	Connect Leads to Tap No.
483	105	1
460	100	2
437	95	3
Secondary Volts		
460		X1, X2, X3
266		X1 & X0
1 phase		X2 & X0
		X3 & X0



Type No.

DRAWN:

DATE: October 2, 2014

**CASE 6**

KVA	CATALOG NUMBER	VOLTAGE		WEATHER SHIELD	WEIGHT	PHASE	FREQ.
		HIGH	LOW				
990	<b>DTGB-990-2S</b>	460Δ	460Y/266	WS-A-6	4285 Lbs	3φ	60 Hz

Winding Rise:	150°C
Insulation:	220°C
Sound Level:	65db

### TYPICAL PERFORMANCE DATA

Regulation @ 100% PF:	
Standards:	UL/CSA

Windings:	AL
Impedance:	6.0%

Typical Effic @ 35%:	
No Load Losses:	
Full Load Losses:	

Control  
7

**A**