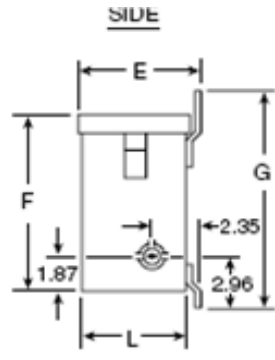
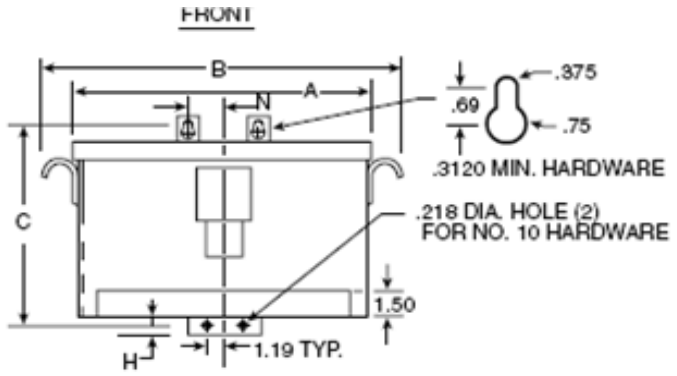


Revisions

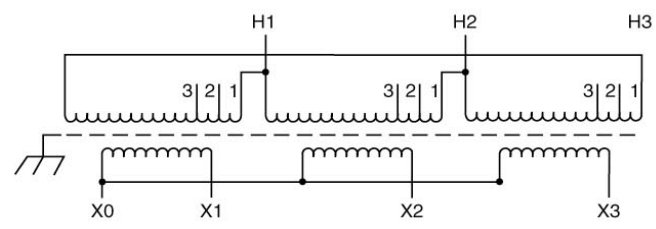
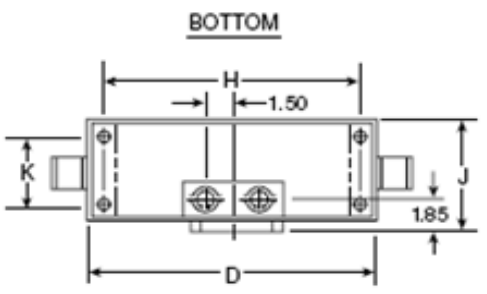


| Primary Volts | % | Connect Leads to Tap No. |
|---------------|-----|--------------------------|
| 604 | 105 | 1 |
| 575 | 100 | 2 |
| 546 | 95 | 3 |

| Secondary Volts | | |
|-----------------|--|-------------------------------|
| 460 | | X1, X2, X3 |
| 266 | | X1 & X0 X2 & X0 X3 & X0 |
| 1 phase | | |



CERTIFIED DIMENSIONS
THREE PHASE
TOTALLY ENCLOSED



| KVA | CATALOG NUMBER | VOLTAGE | | TYPE | WEIGHT | PHASE | FREQ. |
|-----|------------------|---------|----------|---------|---------|-------|-------|
| | | HIGH | LOW | | | | |
| 7.5 | DTHB-7-2S | 575Δ | 460Y/266 | NEMA 3R | 180 Lbs | 3φ | 60 Hz |

| | |
|--------------|-------|
| Winding Rise | 115°C |
| Insulation | 180°C |
| Sound Level | 40 dB |

TYPICAL PERFORMANCE DATA

| | |
|----------------------|--|
| Regulation @ 100% PF | |
|----------------------|--|

| | |
|-----------|--|
| IMPEDANCE | |
|-----------|--|

| | |
|--------------------|--|
| Typical Efficiency | |
| Full Load Losses | |
| No Load Losses | |

| A | B | C | D | E | F | G | H | J | K | L | M | N | P | R |
|-------|-------|-------|-------|------|-------|-------|-----|------|---|------|---|------|---|---|
| 16.87 | 19.25 | 14.46 | 16.72 | 7.37 | 13.06 | 15.21 | .38 | 7.31 | | 6.87 | | 3.25 | | |

Type No. _____

DATE: June 2, 2010