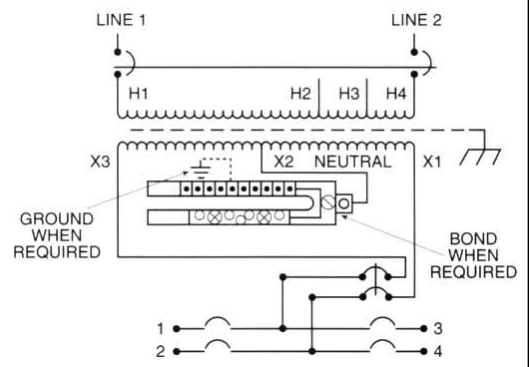
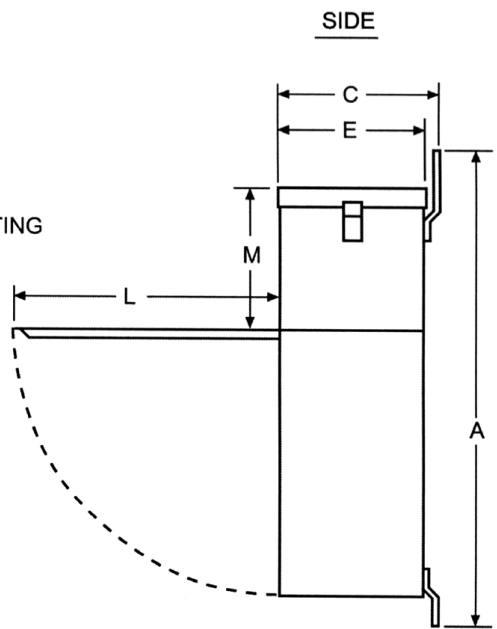


NOTE: FOR MOUNTING
MAX BOLT DIA. 1/2"



**PANEL-
TRANSFORMER**

Type No.

KVA	CATALOG NUMBER	VOLTAGE		NEMA	WEIGHT	PHASE	FREQ.
		HIGH	LOW				
5	PT06-1150005-	480	120/240	3R	120	1 ϕ	60 Hz

TYPICAL PERFORMANCE DATA

Winding Rise	115°C
Insulation	180°C
Sound Level	40 dB

120 V (1-Pole)	8	240 V (2-Pole)	4
-------------------	---	-------------------	---

Typical Efficiency	
Full Load Losses	
No Load Losses	

A	B	C	D	E	F	G	H	J	K	L	M	N		
32.13	13.25	7.63	30.63	7.06	10.31	27.81	1.50	3.00	3.00	17.25	10.06	2.63		

						A	PRINTS TO	CONTROL 7	PT06-1150005-
--	--	--	--	--	--	----------	-----------	--------------	----------------------