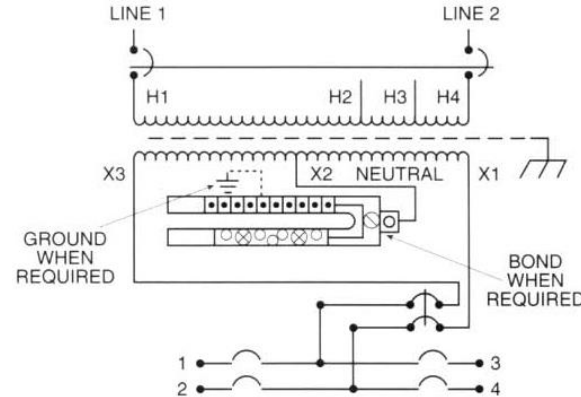
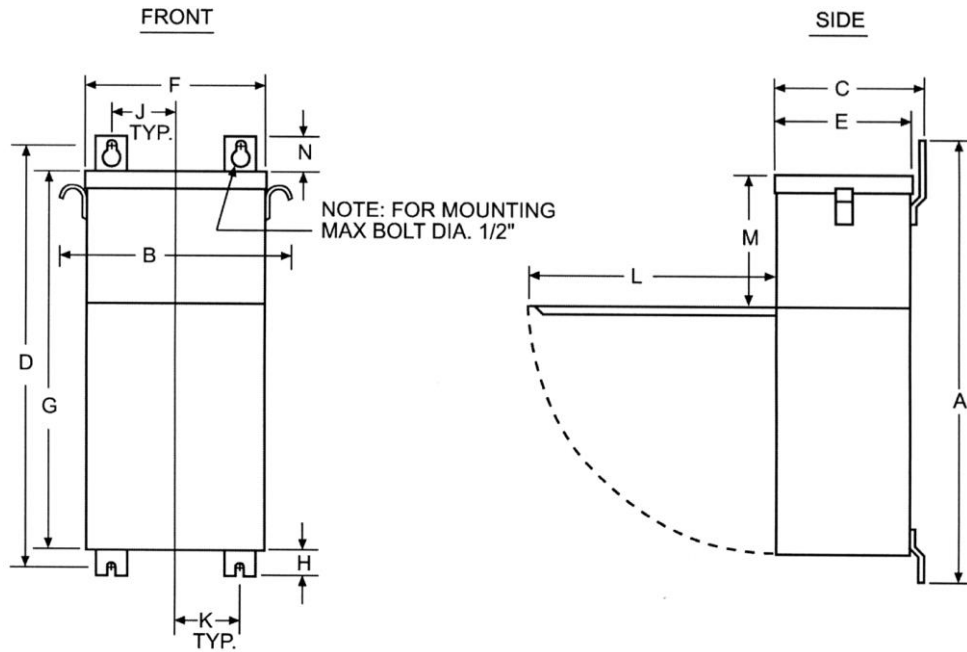


Revisions



PANEL-TRAN

Type No.

KVA	CATALOG NUMBER	VOLTAGE		NEMA Rating	WEIGHT	PHASE	FREQ.
		HIGH	LOW				
10	PT06-1150010-LS	480	120/240	3R	185 Lbs	1 ϕ	60 Hz

TYPICAL PERFORMANCE DATA

Winding Rise	115°C
Insulation	180°C
Sound Level	45 dB

Maximum Secondary Circuits			
120V (1-Pole)	8	240 V (2-Pole)	4

Typical Efficiency	
Full Load Losses	
No Load Losses	

A	B	C	D	E	F	G	H	J	K	L	M	N		
34.38	15.88	11.00	32.88	10.43	12.94	30.06	1.50	4.00	4.00	17.25	12.19	2.63		

						A	PRINTS TO	CONTROL 7	PT06-1150010-LS
--	--	--	--	--	--	----------	-----------	------------------	------------------------