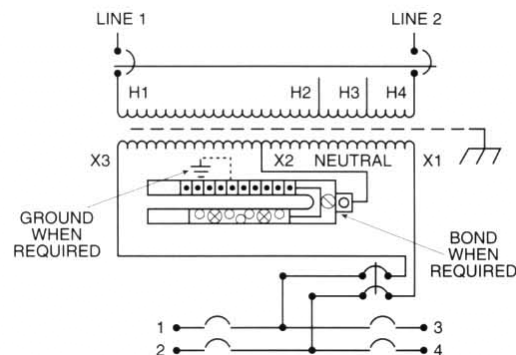
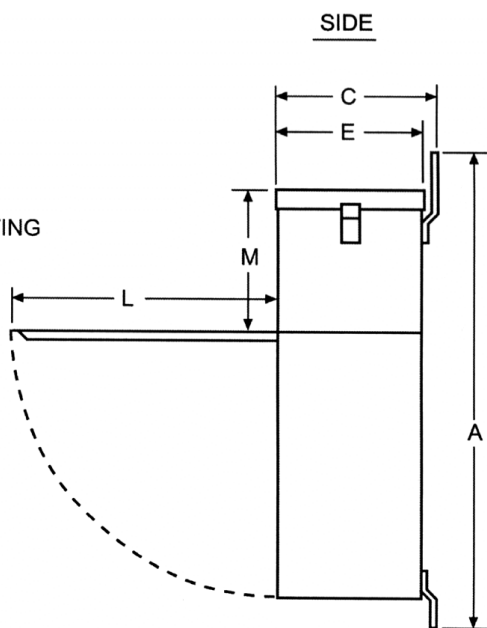


NOTE: FOR MOUNTING
MAX BOLT DIA. 1/2"



**PANEL-
TRANSFORMER**

Type No. _____

KVA	CATALOG NUMBER	VOLTAGE		Stainless	WEIGHT	PHASE	FREQ.
		HIGH	LOW				
15	PT06-1150015-	480	120/240	304	240	1φ	60 Hz

TYPICAL PERFORMANCE DATA							
Winding Rise	115°C	120 V (1-Pole)		240 V (2-Pole)		Typical Efficiency	
Insulation	180°C	12		6		Full Load Losses	
Sound Level	45 dB					No Load Losses	

A	B	C	D	E	F	G	H	J	K	L	M	N		
34.38	17.13	12.38	32.88	10.68	14.18	30.06	1.50	4.00	4.00	15.75	13.69	2.63		

					A	PRINTS TO	CONTROL 7	PT06-1150015-
--	--	--	--	--	----------	-----------	------------------	----------------------