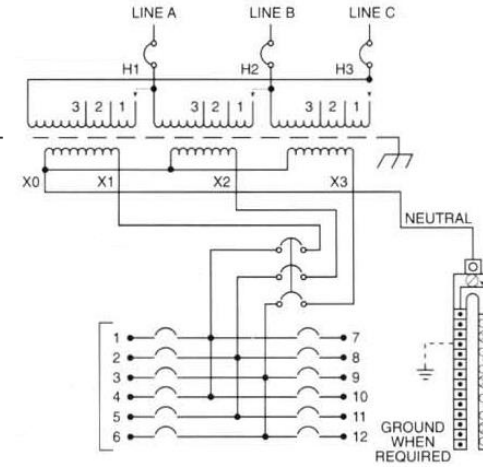
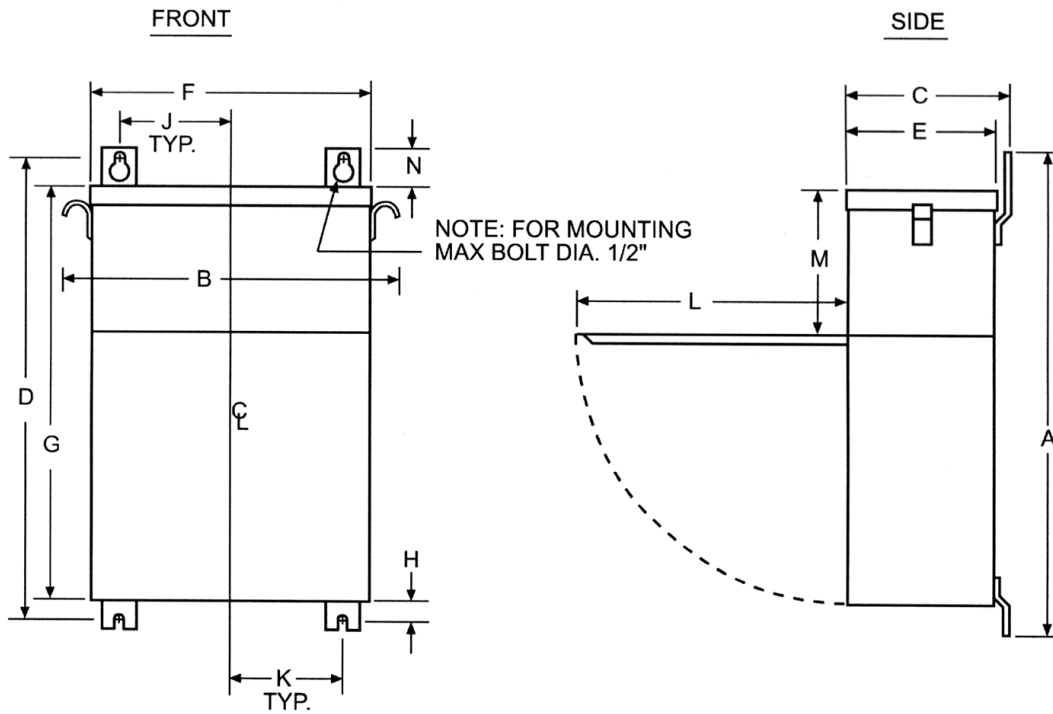


Revisions



Reference Drawing Only
See Circuit Breaker Data Below.

Primary Volts	%	Connect Leads To Tap Number
480	100	1
456	95	2
432	90	3



PANEL-TRAN

Type No.

KVA	CATALOG NUMBER	VOLTAGE		WEIGHT	PHASE	FREQ.
		HIGH	LOW			
9	PTBA-3150009-LS	480Δ	208Y/120	255 Lbs	3φ	60 Hz

TYPICAL PERFORMANCE / CIRCUIT BREAKER DATA

Winding Rise	115°C
Insulation	180°C
Sound Level	40 dB

120 V (1-Pole)	12
-----------------------	-----------

208 V (3-Pole)	4
-----------------------	----------

NEMA	3R
Primary Breaker:	25A-3P
Secondary Main Breaker:	30A-3P

A	B	C	D	E	F	G	H	J	K	L	M	N
33.75	22.13	7.63	32.25	7.06	19.19	29.56	1.44	8.00	8.00	16.88	12.06	2.63

Primary -----18,000 AIC

Secondary – 10,000 AIC

A

PRINTS TO

CONTROL 7

PTBA-3150009-LS