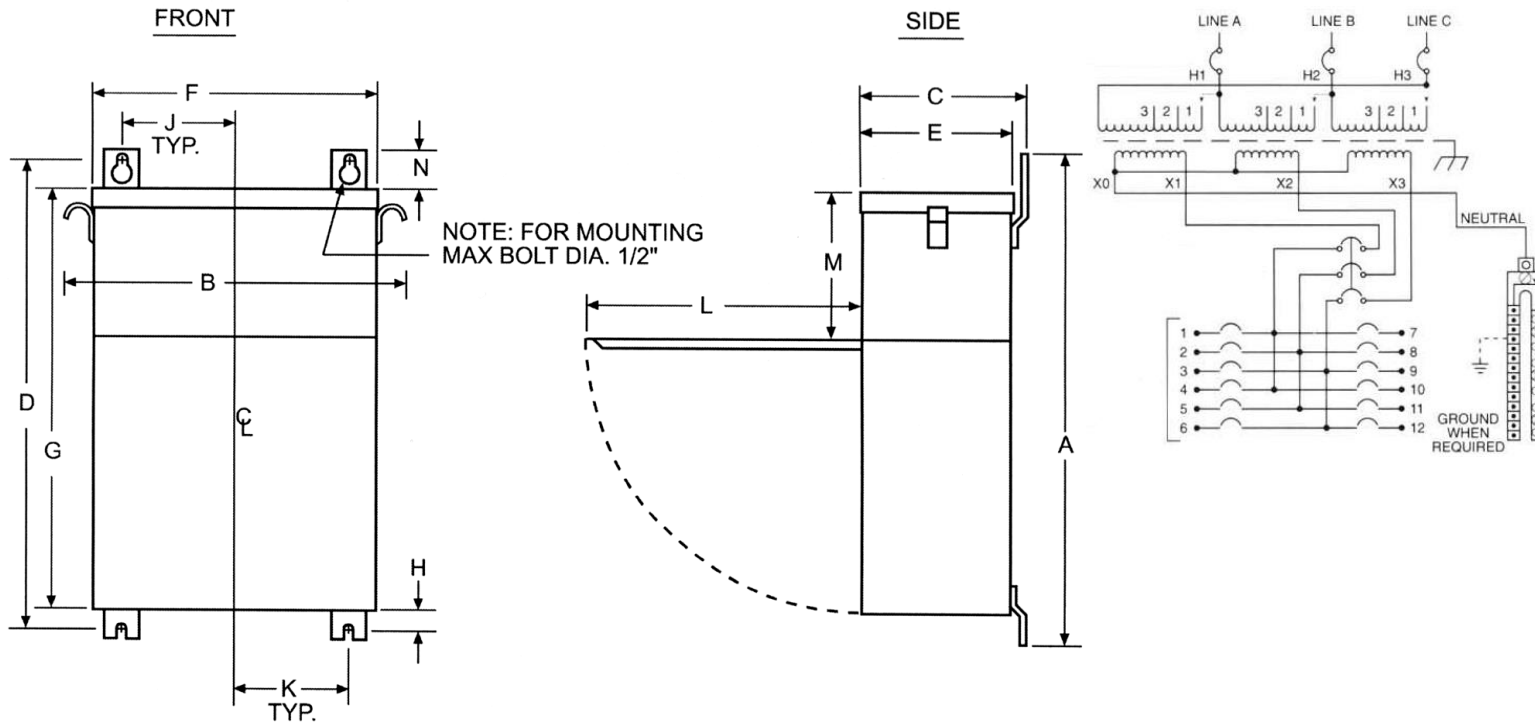


Revisions



PANEL-TRAN

Type No.

KVA	CATALOG NUMBER	VOLTAGE		TYPE	WEIGHT	PHASE	FREQ.
		HIGH	LOW				
15	PTBA-3150015-LS	480Δ	208Y/120	3R	385 Lbs	3φ	60 Hz

TYPICAL PERFORMANCE DATA

Winding Rise	115°C	120 V (1-Pole)		12	208 V (3-Pole)		4	Typical Efficiency	
Insulation	180°C							Full Load Losses	
Sound Level	45 dB							No Load Losses	

A	B	C	D	E	F	G	H	J	K	L	M	N
34.13	22.13	12.38	33.75	11.81	19.19	31.06	1.44	8.00	8.00	16.88	13.56	2.63