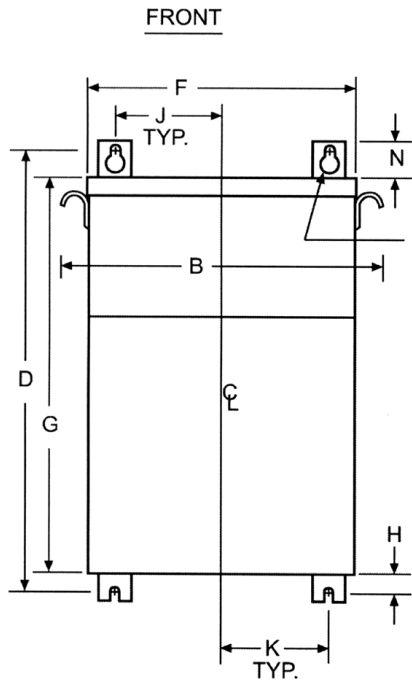
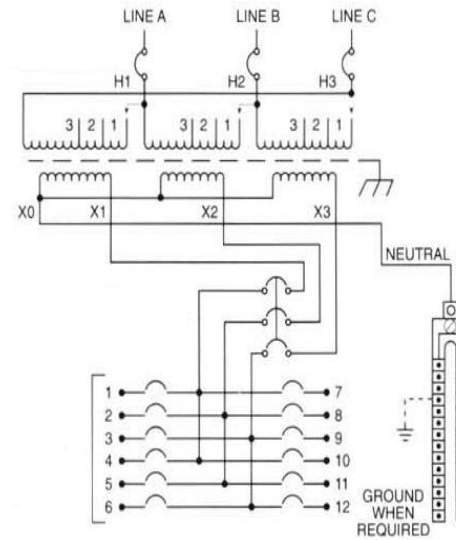
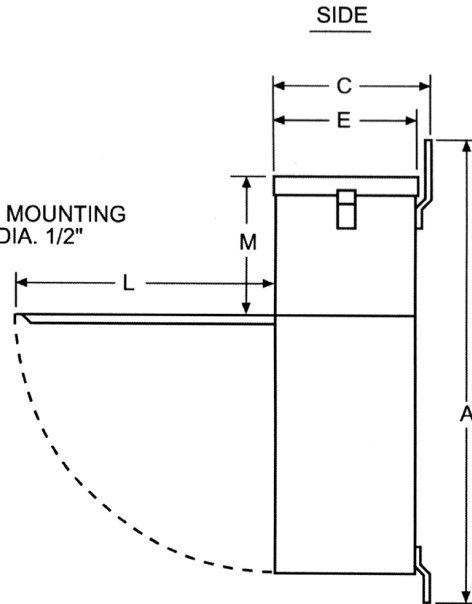


Revisions



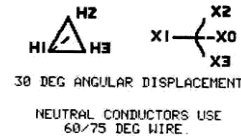
NOTE: FOR MOUNTING
MAX BOLT DIA. 1/2"



| PRIMARY VOLTS | % | CONNECT LEADS TO TAP NUMBER |
|---------------|-----|-----------------------------|
| 480 | 100 | 1 |
| 456 | 95 | 2 |
| 432 | 90 | 3 |

CAUTION
KEEP 3 TAP CONNECTIONS
IN SAME POSITION WHEN
TRANSFORMER IS IN OPERATION

| NEUTRAL WIRE | TORQUE |
|--------------|----------|
| CU OR AL | INCH LBS |
| 4 - 6 | 35 |
| 8 | 25 |
| 10 - 14 | 20 |



| KVA | CATALOG NUMBER | VOLTAGE | | Enclosure Rating | WEIGHT | PHASE | FREQ. |
|------|------------------------|---------|----------|------------------|---------|-------|-------|
| | | HIGH | LOW | | | | |
| 22.5 | PTBA-3150022-LS | 480Δ | 208Y/120 | 3R | 535 Lbs | 3φ | 60 Hz |

NEUTRAL WIRE COMBINATIONS

- 0 (1) 14-4 CU
- 0 (1) 12-4 AL
- 0 (2) 14-10 CU
- 0 (2) 12-10 AL
- 0 (3) 14-10 CU
- 0 (3) 12-10 AL

| | |
|--------------|-------|
| Winding Rise | 115°C |
| Insulation | 180°C |
| Sound Level | 45 dB |

TYPICAL PERFORMANCE DATA

| | | | |
|----------------|----|----------------|---|
| 120 V (1-Pole) | 18 | 208 V (3-Pole) | 6 |
|----------------|----|----------------|---|

| | |
|--------------------|--|
| Typical Efficiency | |
| Full Load Losses | |
| No Load Losses | |

| A | B | C | D | E | F | G | H | J | K | L | M | N |
|-------|-------|-------|-------|-------|-------|-------|------|------|------|-------|-------|------|
| 38.25 | 30.25 | 13.38 | 36.75 | 12.81 | 27.31 | 34.06 | 1.44 | 8.00 | 8.00 | 18.88 | 14.56 | 2.63 |

Type No.

DATE: 4-19-10

DRAWN: ADR

A

PRINTS TO

CONTROL
7

ACME ELECTRIC

PANEL-TRAN