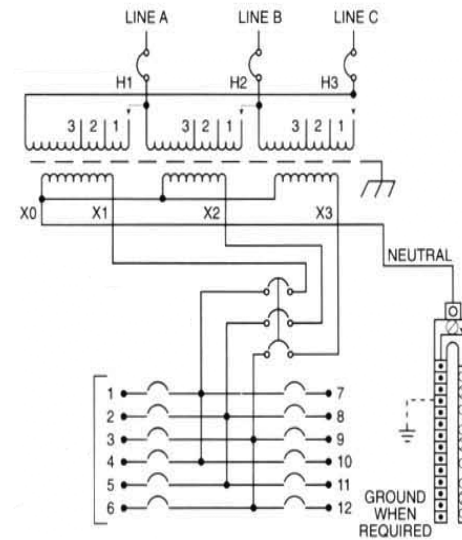
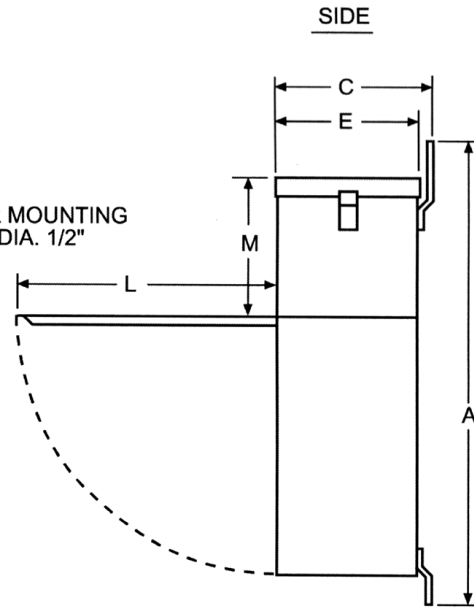


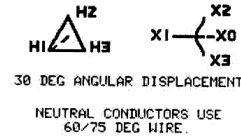
NOTE: FOR MOUNTING  
MAX BOLT DIA. 1/2"



PRIMARY VOLTS	%	CONNECT LEADS TO TAP NUMBER
480	100	1
456	95	2
432	90	3

**CAUTION**  
KEEP 3 TAP CONNECTIONS  
IN SAME POSITION WHEN  
TRANSFORMER IS IN OPERATION

NEUTRAL WIRE CU OR AL	TORQUE INCH LBS
4 - 6	35
8	25
10 - 14	20



KVA	CATALOG NUMBER	VOLTAGE		Enclosure	WEIGHT	PHASE	FREQ.
		HIGH	LOW				
22.5	<b>PTBA-3150022-</b>	480Δ	208Y/12	3R	535	3φ	60 Hz

NEUTRAL WIRE COMBINATIONS

- 0 (1) 14-4 CU
- 0 (1) 12-4 AL
- 0 (2) 14-10 CU
- 0 (2) 12-10 AL
- 0 (3) 14-10 CU
- 0 (3) 12-10 AL

Winding Rise	115°C
Insulation	180°C
Sound Level	45 dB

TYPICAL PERFORMANCE DATA

120 V (1-Pole)	18	208 V (3-Pole)	6
-------------------	----	-------------------	---

Typical Efficiency	
Full Load Losses	
No Load Losses	

A	B	C	D	E	F	G	H	J	K	L	M	N
38.25	30.25	13.38	36.75	12.81	27.31	34.06	1.44	8.00	8.00	18.88	14.56	2.63

ACME ELECTRIC

PANEL-TRANSFORMER

Type No.

DATE: 4-19-10

DRAWN: ADR

A

PRINTS TO

CONTROL 7

PTBA-3150022-