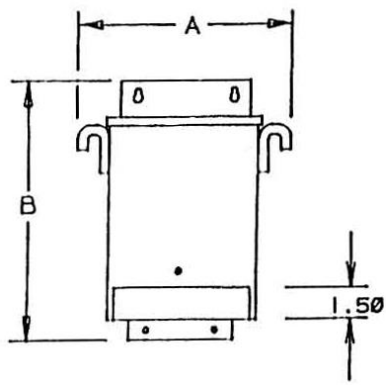
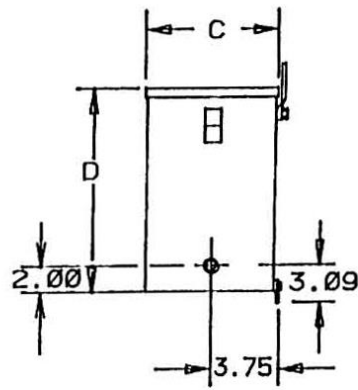


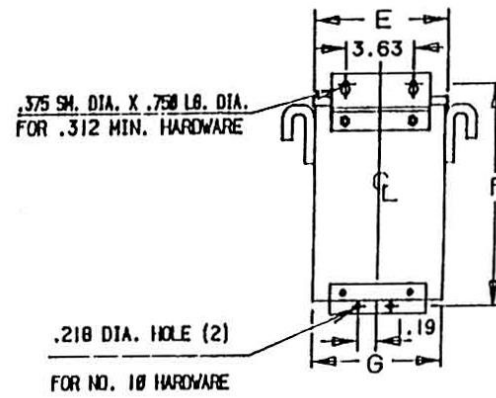
Revisions



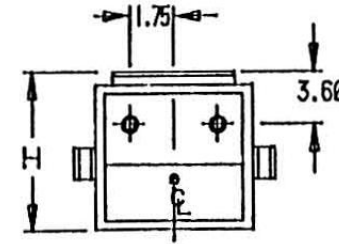
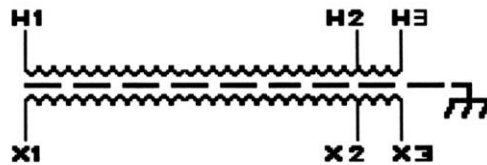
FRONT



SIDE



BACK



BOTTOM

INPUT CONNECTIONS		
VOLTS	INPUT LINES 1 2	
277	H1	H2
480	H1	H3

OUTPUT CONNECTIONS		
VOLTS	OUTPUT LINES 1 2	
208	X1	X2
277	X1	X3



Type No.

KVA	CATALOG NUMBER	VOLTAGE		WIRING DIAGRAM	WEIGHT	PHASE	FREQ.
		HIGH	LOW				
5.0	GP12-5000-S	277 / 480	208 / 277		80 Lbs	1	60 Hz

TYPICAL PERFORMANCE DATA

Winding Rise	115°C
Insulation	180°C
Sound Level	45 dB

Regulation @ 100% PF	2.3 %
----------------------	-------

IMPEDANCE	2.56 %
-----------	--------

Typical Efficiency	94.26 %
No Load Losses	190.3 W
Full Load Losses	304.4 W

A	B	C	D	E	F	G	H		
10.31	15.63	6.65	13.06	7.81	14.38	7.68	7.13		

A

PRINTS TO

CONTROL
7

GP12-5000-S