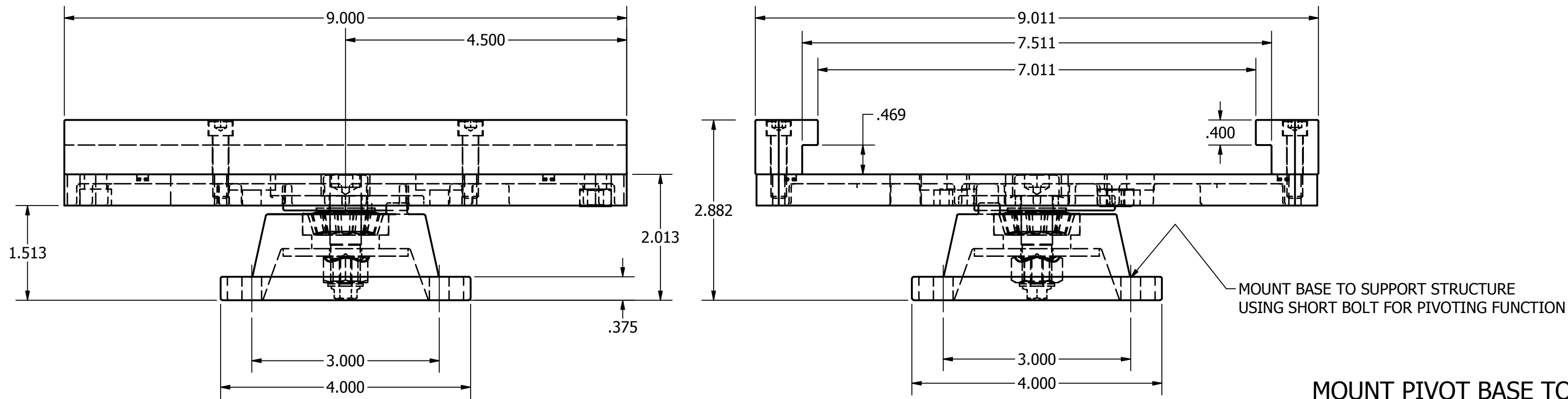
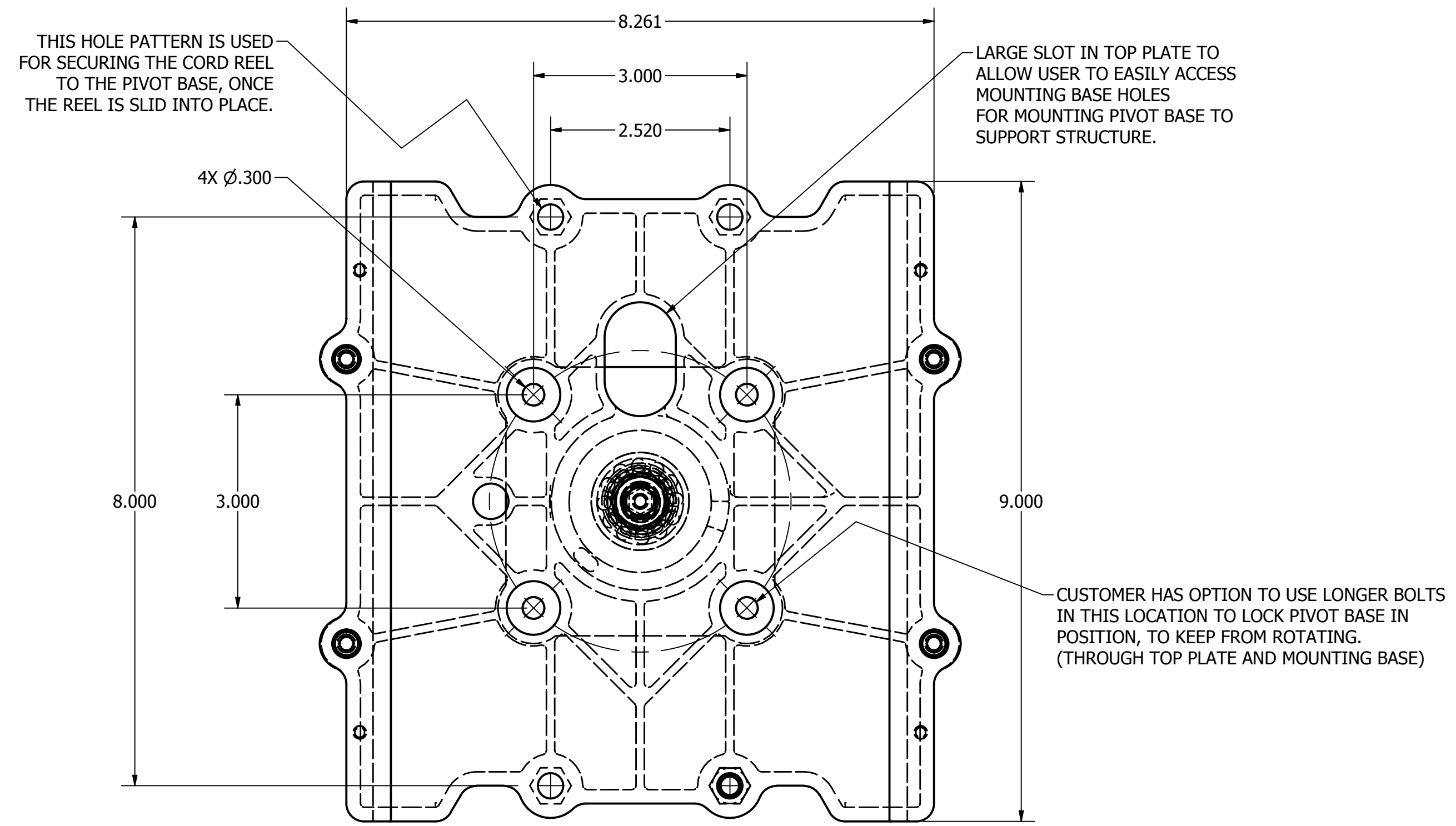



NOTES  
 1.) PIVOT BASE MANUFACTURED FROM DI-CAST ALUMINUM MATERIAL.  
 2.) FINISH:- PAINT GLOSS BLACK.

REVISION HISTORY			
REV	DESCRIPTION	DATE	APPROVED
A	RELEASE -NO ERN ISSUED	05/20/20	SRK



MOUNT PIVOT BASE TO SUPPORT STRUCTURE, THEN SLIDE CORD REEL INTO PIVOT BASE

UNLESS OTHERWISE NOTED ALL DIMENSIONS ARE INCHES. TOLERANCES AS FOLLOWS: DECIMAL .X ± .1 DECIMAL .XX ± .03 DECIMAL .XXX ± .010 ANGLES DEG-MIN ± 1°0'	APPLICATION		 GLEASON REEL CORP. MAYVILLE, WISCONSIN Inventor Drawing
	NEXT ASSY	SIM TO	
THIS DRAWING AND ALL INFORMATION HEREON IS THE PROPERTY OF GLEASON REEL AND CONFORMS TO GLEASON REEL ENGINEERING POLICY. IT MUST NOT BE COPIED, REPRODUCED, OR SUBMITTED TO OTHERS WITHOUT WRITTEN AUTHORIZATION AND ALL REPRODUCTIONS ARE SUBJECT TO RETURN ON DEMAND.	DRAWN	DATE	DWG NO <b>HBLI340PB</b>
	Microsoft	5/19/2020	
DO NOT SCALE DRAWING!		SHEET	1 OF 1