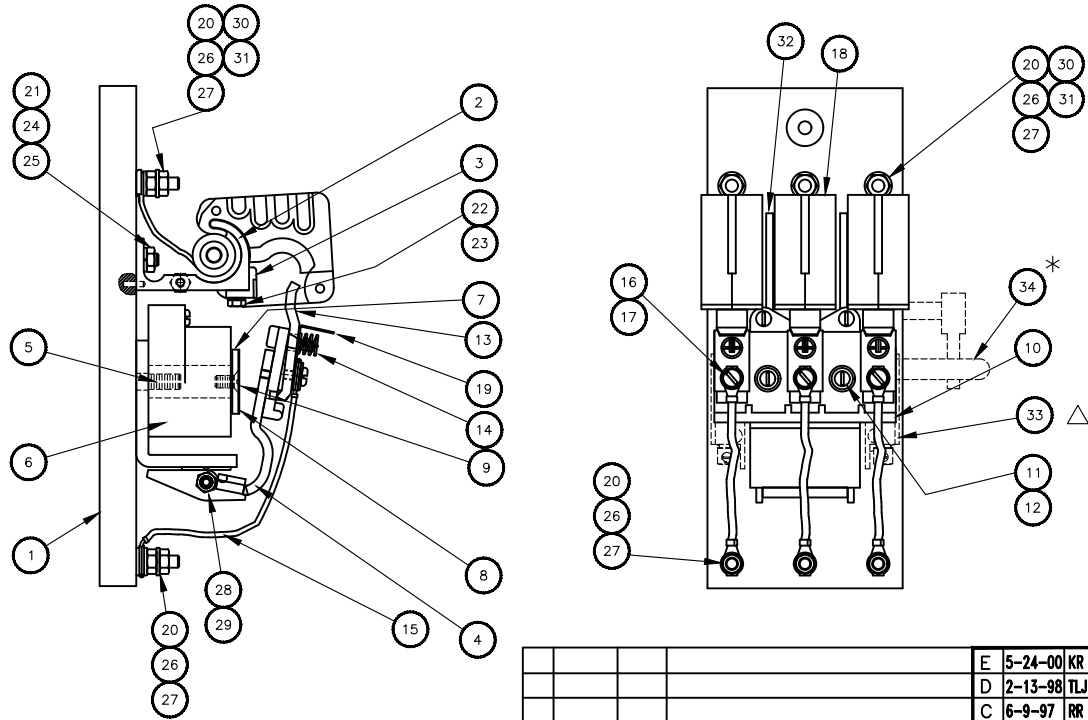


COMPLETE ASSEMBLY OF PART NUMBERS																		
1 POLE	ITEM 6	ITEM 2	1 POLE	ITEM 6	ITEM 2	2 POLE	ITEM 6	ITEM 2	2 POLE	ITEM 6	ITEM 2	3 POLE	ITEM 6	ITEM 2	3 POLE	ITEM 6	ITEM 2	
59321-XXX STANDARD	OPERATING COIL (VOLTS)	BLOWOUT COIL (AMPS)	59321-XXX SILVER FACED	OPERATING COIL (VOLTS)	BLOWOUT COIL (AMPS)	59322-XXX STANDARD	OPERATING COIL (VOLTS)	BLOWOUT COIL (AMPS)	59322-XXX SILVER FACED	OPERATING COIL (VOLTS)	BLOWOUT COIL (AMPS)	59323-XXX STANDARD	OPERATING COIL (VOLTS)	BLOWOUT COIL (AMPS)	59323-XXX SILVER FACED	OPERATING COIL (VOLTS)	BLOWOUT COIL (AMPS)	
SUFFIX			SUFFIX			SUFFIX			SUFFIX			SUFFIX			SUFFIX			
101	115/125	25	301	115/125	25	101	115/125	25	301	115/125	25	101	115/125	25	301	115/125	25	
102	115/125	50	302	115/125	50	102	115/125	50	302	115/125	50	102	115/125	50	302	115/125	50	
103	230/250	25	303	230/250	25	103	230/250	25	303	230/250	25	103	230/250	25	303	230/250	25	
104	230/250	50	304	230/250	50	104	230/250	50	304	230/250	50	104	230/250	50	304	230/250	50	
105	57.5	25	305	57.5	25	105	57.5	25	305	57.5	25	105	57.5	25	305	57.5	25	
106	57.5	50	306	57.5	50	106	57.5	50	306	57.5	50	106	57.5	50	306	57.5	50	
107	24	25	307	24	25	107	24	25	307	24	25	107	24	25	307	24	25	
108	24	50	308	24	50	108	24	50	308	24	50	108	24	50	308	24	50	
109	12	25	309	109	108	25	309	115/125	38	109	108	25	309	115/125	38	109	108	25
110	12	50	310	110	108	50	310	230/250	38	110	108	50	310	230/250	38	110	108	50
111	115/125	38	311	111	115/125	38	311	57.5	38	111	115/125	38	311	57.5	38	111	115/125	38
112	230/250	38	312	112	230/250	38	312	24	38	112	230/250	38	312	24	38	112	230/250	38
113	115/125	15	313	113	48	25	313	113	48	25	313	113	48	25	313	113	48	25
114	230/250	15	314	114	48	50	314	114	24	38	314	114	24	38	314	114	24	38
115	115/125	5	315	115	12	25	315	115	12	25	315	115	12	25	315	115	12	25
116	230/250	5	316	116	12	50	316	116	460/500	38	316	116	460/500	38	316	116	460/500	38
117	57.5	38	317	117	57.5	38	317	117	57.5	38	317	117	57.5	38	317	117	57.5	38
118	24	38	318	118	24	38	318	118	550	38	318	118	550	38	318	118	550	38
119	480/500	25	319	119	480/500	25	319	119	480/500	25	319	119	480/500	25	319	119	480/500	25
120	480/500	38	320	120	480/500	38	320	120	480/500	38	320	120	480/500	38	320	120	480/500	38
121	550	25	321	121	550	25	321	121	550	25	321	121	550	25	321	121	550	25
122	550	38	322	122	550	38	322	122	550	38	322	122	550	38	322	122	550	38
123	75	50	323	123	36	50	323	123	36	50	323	123	36	50	323	123	36	50
124	36	25	324	124	36	25	324	124	36	25	324	124	36	25	324	124	36	25
125			325	125	36	38	325	125	36	38	325	125	36	38	325	125	36	38
126			326	126			326	126			326	126			326	126		
127			327	127			327	127			327	127			327	127		
128			328	128			328	128			328	128			328	128		
129			329	129			329	129			329	129			329	129		
130			330	130			330	130			330	130			330	130		
131			331	131			331	131			331	131			331	131		
132			332	132			332	132			332	132			332	132		

□ SELECT ONE ITEM ONLY (QUANTITIES AS SHOWN)

† THESE ITEMS ARE INCLUDED IN THE UPRIGHT, CONTACT & BLOWOUT ASSEMBLY.
 △ AUXILIARY CONTROL CONTACT ASSEMBLY P/N 68011-003 TO BE ORDERED SEPARATELY. AUXILIARY CONTROL CONTACT ASSEMBLY IS NOT INCLUDED WITH COMPLETE CONTACTOR ASSEMBLY.
 * MECHANICAL INTERLOCK ASSEMBLY P/N 68041-001 FOR 1 POLE CONTACTORS OR P/N 68041-002 FOR 2 & 3 POLE CONTACTORS TO BE ORDERED SEPARATELY. REFER TO DRG. A-68015. MECHANICAL INTERLOCK ASSEMBLY IS NOT INCLUDED WITH COMPLETE CONTACTOR ASSEMBLY.



REPAIR PARTS DRAWING FOR 1, 2, & 3 POLE (#2 SIZE) MAGNETIC CONTACTOR				PART NO. 59321-XXX	PART NO. 59322-XXX	PART NO. 59323-XXX
ITEM	DESCRIPTION	PART NO.	QTY.	QTY.	QTY.	
1	BASE	68013-003	1	1	1	
2	UPRIGHT, CU CONTACT & BLOWOUT COIL ASSEMBLY (50 AMP)	58852-101	1	2	3	
2	UPRIGHT, CU CONTACT & BLOWOUT COIL ASSEMBLY (25 AMP)	58852-102	1	2	3	
2	UPRIGHT, CU CONTACT & BLOWOUT COIL ASSEMBLY (38 AMP)	58852-103	1	2	3	
2	UPRIGHT, AG CONTACT & BLOWOUT COIL ASSEMBLY (50 AMP)	58852-104	1	2	3	
2	UPRIGHT, AG CONTACT & BLOWOUT COIL ASSEMBLY (25 AMP)	58852-105	1	2	3	
2	UPRIGHT, AG CONTACT & BLOWOUT COIL ASSEMBLY (38 AMP)	58852-106	1	2	3	
2	UPRIGHT, CU CONTACT & BLOWOUT COIL ASSEMBLY (5 AMP)	58852-107	1	2	3	
2	UPRIGHT, CU CONTACT & BLOWOUT COIL ASSEMBLY (15 AMP)	58852-109	1	2	3	
3	STATIONARY CONTACT (COPPER)	02317-000	1	2	3	
3	STATIONARY CONTACT (SILVER CAD-OXIDE FACED)	02317-001	1	2	3	
4	ARMATURE-STATOR, HINGE PIN, & CORE ASSEMBLY	58675-003	1	1	1	
5	.312-18 X 1.250 LONG STUD	66475-017	1	1	1	
6	COIL (115/125V D.C.)	68014-002	1	1	1	
6	COIL (230/250V D.C.)	68014-001	1	1	1	
6	COIL (57.5V D.C.)	68014-003	1	1	1	
6	COIL (24V D.C.)	68014-004	1	1	1	
6	COIL (48V D.C.)	68014-005	1	1	1	
6	COIL (108V D.C.)	68014-010	1	1	1	
6	COIL (216V D.C.)	68014-009	1	1	1	
6	COIL (460/500V D.C.)	68014-012	1	1	1	
6	COIL (550V D.C.)	68014-011	1	1	1	
6	COIL (12V D.C.)	68014-007	1	1	1	
6	COIL (75V D.C.)	68014-013	1	1	1	
6	COIL (36V D.C.)	68014-006	1	1	1	
7	CORE CAP	18048-000	1	1	1	
8	NONMAGNETIC SPACER	19683-001	1	1	1	
9	.250-20 X .50 FLAT HEAD CAP SCREW	49144-108	1	1	1	
10	FINGER BOARD	42005-000	1	1	1	
11	#8-32 X .625 LONG ROUND HEAD SCREW	47241-104	2	2	2	
12	#8 SPLIT LOCK WASHER	47252-064	2	2	2	
13	MOVABLE FINGER	05722-000	1	2	3	
13	MOVABLE FINGER (SILVER FACED)	05722-001	1	2	3	
14	FINGER SPRING	08838-000	1	2	3	
14	FINGER SPRING	04657-000			3	
15	FINGER SHUNT	04873-000	1	2	3	
16	#10-32 X .375 LONG SEMS. SCREW BRASS	49138-083	1	2	3	
17	#10 FLAT WASHER BRASS	47251-008	1	2	3	
18	ARC SHIELD ASSEMBLY	42856-001	1	2	3	
19	ARC HORN	42029-000	1	2	3	
20	.250-20 X 1.31 LONG STUD	66457-015	2	4	6	
21	.250-20 X .875 LONG STUD	66457-016	1	2	3	
22	#10-24 X .375 LONG HEX HEAD SCREW S.S.	47779-042	1	2	3	
23	#10 SPLIT LOCK WASHER	47252-065	1	2	3	
24	.250 SPLIT LOCK WASHER	48252-038	1	2	3	
25	.250-20 HEX NUT	47253-021	1	2	3	
26	.250 FLAT WASHER - BRASS	47251-041	4	8	12	
27	.250-20 HEX NUT - BRASS	47254-011	4	8	12	
28	#10-32 BRASS HEX NUT	47254-009	1	1	1	
29	#10 EXTERNAL LOCKWASHER	47303-006	1	1	1	
30	.250 BRASS FLATWASHER, .50 O.D.	47251-050	1	2	3	
31	BRASS CUP WASHER	81279-061	1	2	3	
32	BARRIER	68034-001			2	
33	AUXILIARY ASSEMBLY 1 N.O. & 1 N.C. CONTACT (KIT)	68011-003	AS REQUIRED			
34	MECHANICAL INTERLOCK ASSEMBLY (1 POLE CONTACTOR) (KIT)	68041-001	AS REQUIRED			
34	MECHANICAL INTERLOCK ASSEMBLY (2 & 3 POLE CONTACTOR) (KIT)	68041-002	AS REQUIRED			

Rev	DATE	BY	DESCRIPTION	Rev	DATE	BY	DESCRIPTION
				E	5-24-00	KR	AUX #68011 WAS 68040
				D	2-13-98	TLJ	REDRAWN TO CAD, CHG'D ITEM 33, ADDED ITEM 38
				C	6-9-97	RR	ITEM 19 WAS P/N 42856-000
				B	6-10-80	FEB/CH	ADDED KIT P/N FOR AUX. & INTERLOCK
				A	5-23-80	FEB	WAS 47250-502 & REMOVED QTY. 1 PER POLE

LINEAR	HOLE	ANGLES
0.X ±.050	±.002	DIMEN.
0.XX ±.020	±.001	±.1°
0.XXX ±.005	±.0005	UNDM.
	±.0005	90° ±2°
CADD NO. 59323001		
R.M.S.	DATE 10-22-79	DR.DRG
	CK.	REF.

BULL. 5210 REPAIR PARTS FOR 1, 2, & 3 POLE 50 AMP (#2 SIZE) MOLDED BASE D.C. CONTACTOR

Hubbell Industrial Controls, Inc.
4301 Cheyenne Dr., Archdale, NC 27263

DRG. NO. 1 OF 1 **RPC-59323-1**

THIS DRAWING FILE AND THE DATA SHOWN IS PROPRIETARY AND CONFIDENTIAL AND THE SOLE PROPERTY OF HUBBELL INDUSTRIAL CONTROLS. DO NOT USE OR REPRODUCE WITHOUT WRITTEN APPROVAL OF HUBBELL.