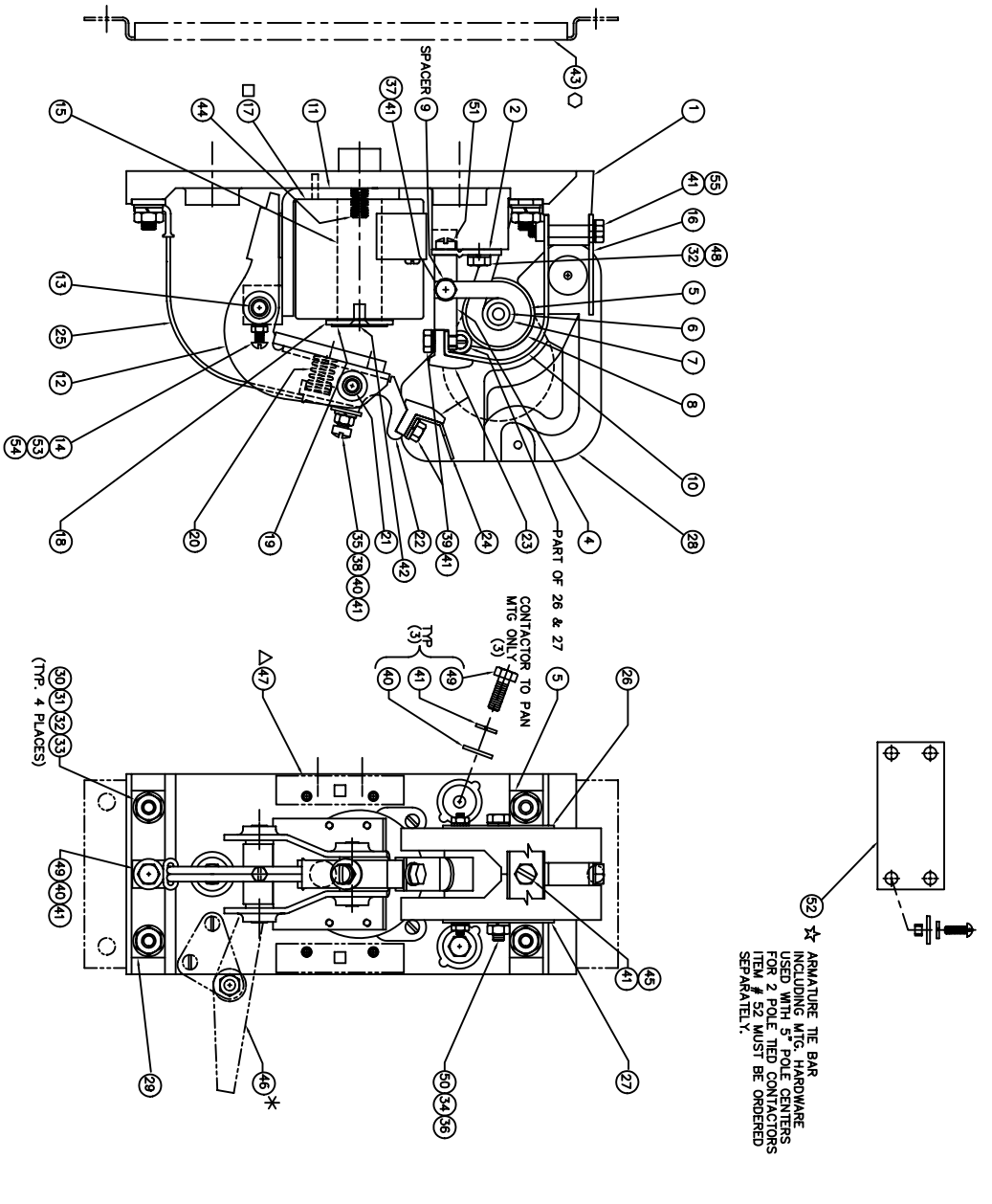


NOTE: WHEN ORDERING PARTS, FURNISH THE FOLLOWING INFORMATION
 1. BULLETIN NUMBER, NEMA SIZE, & SERIAL NUMBER
 FROM NAMEPLATE.
 2. PART NUMBER & DESCRIPTION

ITEM	DESCRIPTION	QTY	PART NO. SINGLE POLE
1	BASE	1	67985-002
2	CONTACT SUPPORT BRACKET	1	67989
3	STATIONARY CONTACT BRACKET	1	58665-001
4	BLOWOUT COIL TERMINAL ASSEMBLY-STD.	1	67988-005
5	SHOCK RESISTANT WELDED BLOWOUT ASSEMBLY	1	67998-011
6	BLOWOUT COIL CORE	1	66870-033
7	B.O. CORE INSULATOR WASHER	1	16982
8	B.O. COIL INSULATOR WASHER	2	16981
9	B.O. COIL SPACER	1	16971
10	B.O. GUARD	1	68054-001
11	STATOR ASSEMBLY	1	17356
12	ARMATURE ASSEMBLY	1	17354
13	ARMATURE BEARING PIN	1	58983
14	HINGE PIN SCREW 10-24 X 5/8 LG RND HD	1	47241-127
15	STATOR CORE	1	58664-001
16	ARC SHIELD RETAINER	1	59853-100
17	OPERATING COIL - 230/250 VOLTS	1	17359
18	OPERATING COIL 115/125 VOLTS	1	17488
19	CORE CAP	1	16940
20	NON MAGNETIC SPACER	1	16983-001
21	CONTACT BEARING PIN	1	16960
22	MOVABLE CONTACT HOLDER	1	16927
23	CONTACT TIP - STANDARD	2	16924
24	CONTACT TIP - SILVER	2	16924-001
25	ARC HORN	1	68056-001
26	SHUNT ASSEMBLY	1	68000-001
27	FLUX PLATE ASSEMBLY L.H.	1	16965
28	FLUX PLATE ASSEMBLY R.H.	1	16964
29	ARC SHIELD ASSEMBLY	1	16973
30	TERMINAL - BOTTOM	1	67987-002
31	5/16-18 HEX NUT STEEL	4	47253-002
32	5/16 FLAT WASHER STEEL	4	47252-005
33	5/16-18 X 3/4 HEX HD CAP SCREW STEEL	4	47246-079
34	1/4-20 HEX NUT - JAM	1	47253-001
35	1/4-20 HEX NUT - STEEL	1	47253-021
36	1/4-20 X 2-1/2 HEX HD CAP SCREW	1	47246-073
37	1/4-20 X 7/8 SL. FILUSTER HD SCREW	1	47779-066
38	1/4-20 X 7/8 SL. FILUSTER HD SCREW STAINLESS	1	47744-149
39	1/4-20 X 5/8 HEX HD CAP SCR. STAINLESS	2	47779-062
40	1/4 FLAT WASHER STEEL	5	47250-002
41	1/4 FLAT WASHER STEEL	10	47252-038
42	1/4-20 X 1/2 FLAT HD SCREW - BRASS	1	47665-108
43	MOUNTING PAN - STEEL	1	68005-001
44	3/8-16 X 1-5/8 LG. STUD - STEEL	1	68475-014
45	1/4-20 X 1/2 HEX HD CAP SCREW SLOTTED	1	47246-061
46	MECHANICAL INTERLOCK ASSEMBLY (KIT)	1	PER ORDER
47	AUX. ASSEM. (N.O. & N.C. CONTACTS) (KIT)	1	AS REQUIRED
48	5/16-18 X 5/8 HEX HD CAP SCR	4	47246-078
49	1/4-20 X 3/4 HEX HD CAP SCR	1	47246-064
50	1/4 LOCKWASHER - EXTERNAL TOOTH	2	47303-008
51	5/16-18 X 1/2 SL. FILUSTER HD. CAP SCREW	1	46624-304
52	THE BAR KIT (FOR 2 POLE TIED CONTACTORS ONLY)	1	59400-001
53	#10 LOCKWASHER - HEAVY SPLIT	1	47252-065
54	#10-24 HEX NUT	1	47253-016
55	1/4-20 X 1-1/2 HEX HD CAP SCREW	1	47246-069



☆ ARMATURE TIE BAR INCLUDING MTS. HARDWARE USED WITH 5" POLE CENTERS FOR 2 POLE TIED CONTACTORS ITEM # 52 MUST BE ORDERED SEPARATELY.

ITEM	DESCRIPTION	QTY	PART NO.
405	SHOCK RESISTANT WELDED BLOWOUT ASSEMBLY	1	575
403	SILVER FACED CONTACTS	1	230/250
401	POWER LINE VOLTAGE	1	575
303	STANDARD	1	230/250
302	DC OPERATING COIL (VOLTS)	1	575
301	COMPLETE ASSEMBLY WITH STEEL MOUNTING PAN	1	59335-1
300	COMPLETE ASSEMBLY WITHOUT STEEL MOUNTING PAN	1	59335-1

- △ AUXILIARY CONTROL CONTACT ASSEMBLY (INCLUDING KNOCKER) P/N 68011-001 SINGLE BLOCK UNIT P/N 68011-002 DOUBLE BLOCK UNIT. TO BE ORDERED SEPARATELY.
- SELECT ONE ITEM ONLY (QUANTITIES AS SHOWN)
- * INTERLOCK BAR ASSEMBLY P/N 68041-003 TO BE ORDERED SEPARATELY. REFER TO REPAIR PARTS PRINT A-58671 INTERLOCK BAR ASSEMBLY IS NOT INCLUDED WITH COMPLETE CONTACTOR ASSEMBLY.
- WELDED BLOWOUT ASSEMBLY INCLUDES ITEMS 4, 5, 9, 37, & 41.

REV	DATE	BY	DESCRIPTION
A			
B			
C			
D			
E			
F			
G			
H			
I			
J			

REV	DATE	BY	DESCRIPTION
A	11/16/95	RWJ	REPAIR PARTS
B	5-24-00	R	REPAIR PARTS
C			
D			
E			
F			
G			
H			
I			
J			

BULL. 5210 REPAIR PARTS FOR
 100 AMP (SIZE 3)
 MOLDED BASE DC CONTACTOR
 WELDED ARMATURE
 DRG. NO. RPC-59335-1
 1 OF 1