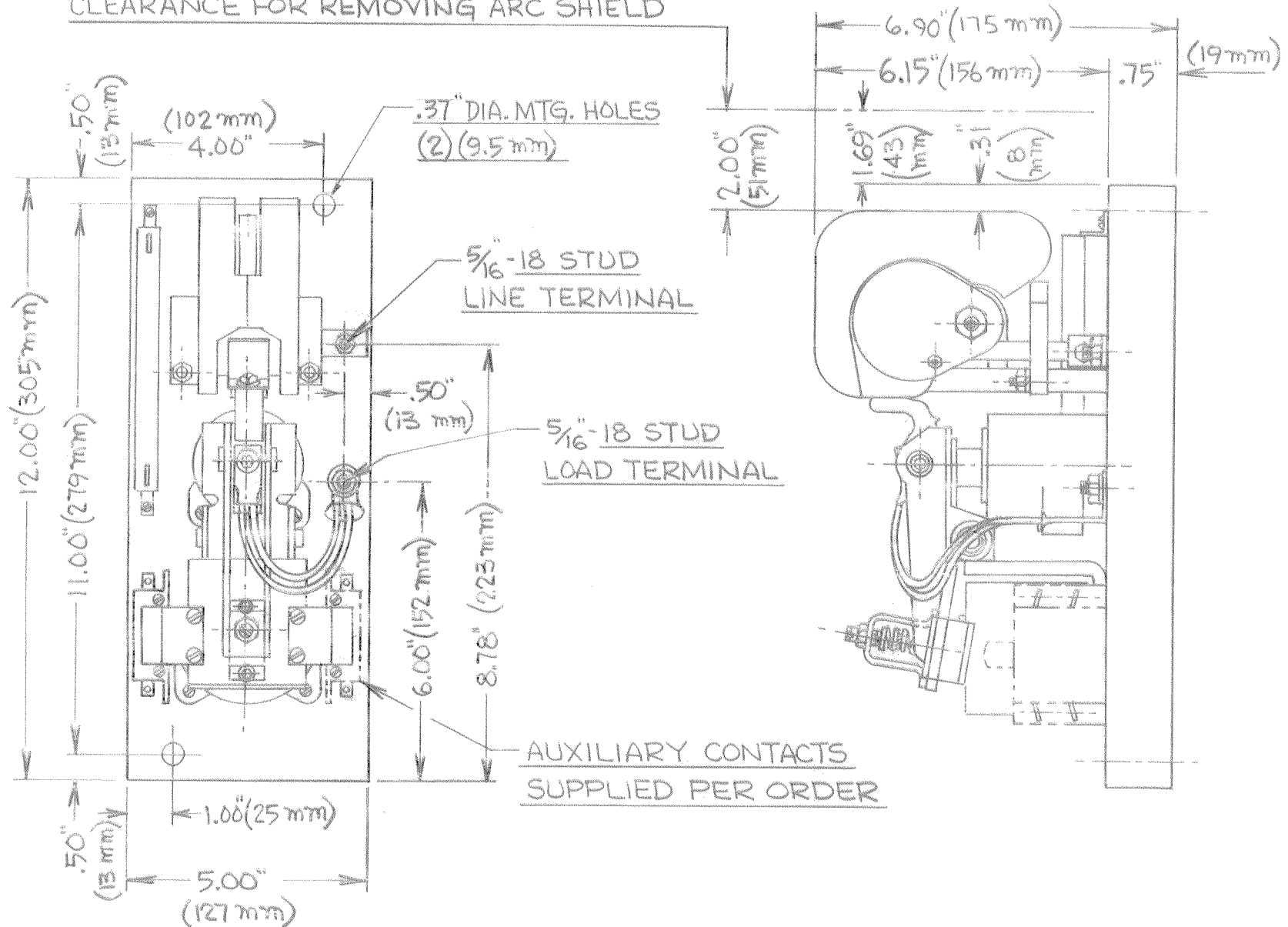


CLEARANCE FOR REMOVING ARC SHIELD



A-59504

E			
D			
C			
B			
A			
REV.	DATE	BY	DESCRIPTION

DECIMAL	LINEAR		HOLES		ANGLES	
	1 PLACE ± .060	2 PLACE ± .020	DRILL	REAM - SPECIFIED	DIMEN. ± 1°	UNDIMEN. 90° ± 2°
			PUNCH	± .002		
			.5	+ .004		
			OR LESS	- .002		
			OVER	+ .010		
			.5	- .004		

BULL 5210 FIBERGLASS PANEL
 OUTLINE DIMENSIONS FOR 100A. & 150A.
 1-POLE D.C. SPRING CLOSED FRONT
 REMOVABLE CONTACTOR SIZE #3 & #4

R.M.S. | DATE 8-8-79 | DR. DJK | CK. *[Signature]* | APPR. | REF.

Industrial Controls Division
 HARVEY HUBBELL INCORPORATED
 Madison, Ohio 44057

DRG. NO. A-59504
 OF