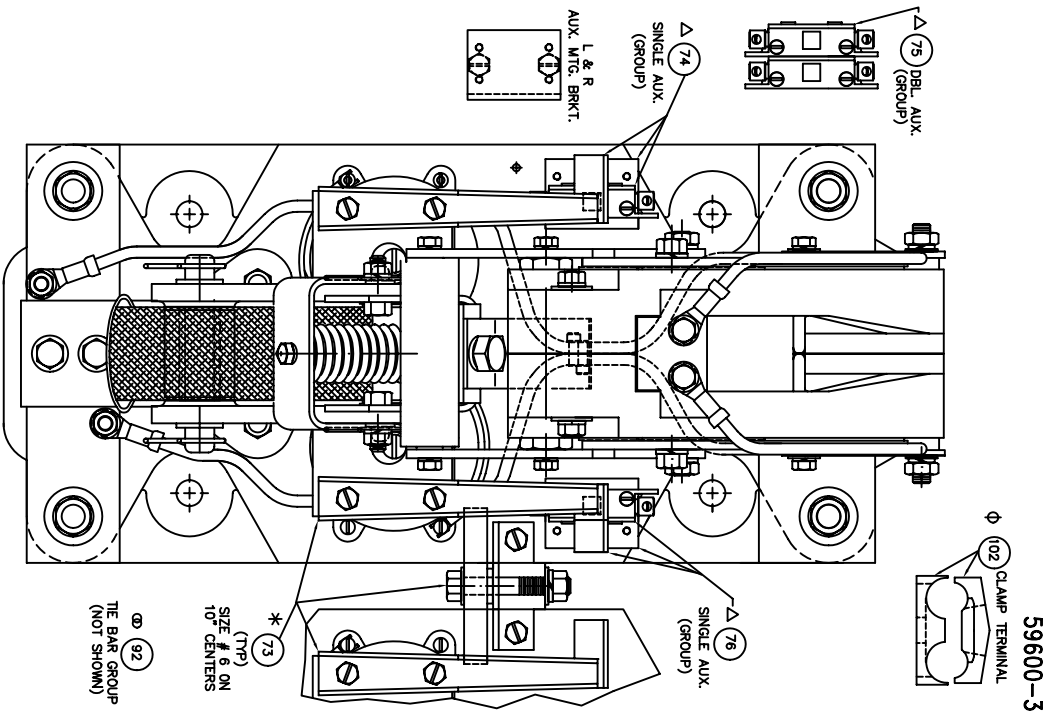


NOTE: WHEN ORDERING REPAIR PARTS BE SURE TO FURNISH SERIAL NUMBER & TYPE NUMBER WHICH ARE LOCATED ON THE NAMEPLATE. ALSO PART NAME AND PART NUMBER.

ITEM	DESCRIPTION	QTY	PART NO.
1	CONTACT TIP	2	SEE CHART
2			
3	SHUNT ASSEMBLY	1	59605-611
4	TERMINAL BUSS	1	59590-602
5	ARMATURE SUPPORT ASSEMBLY	1	59609-001
6	ARMATURE ASSEMBLY	1	59608-620
7			
8	ARMATURE HINGE PIN	1	59649-002
9	CONTACT REST YOKE	1	59607-000
10	SPRING	1	67981-009
11	SPRING RETAINER YOKE	1	59606-001
12	HOLDER ARM HINGE PIN	1	59648-011
13	500-13 X 1.25 LG. S.S. HEX HEAD SCREW	2	47252-042
14	500-13 X 1.00 LG. S.S. HEX HEAD SCREW	2	47252-042
15	500-13 X 1.00 LG. HEX HEAD SCREW	2	47252-042
16	375-16 X 1.00 LG. HEX HEAD SCREW	2	47252-042
17	375 S.S. FLAT WASHER	2	47252-042
18	375 LOCK WASHER	2	47252-042
19	HEX NUT .375-16	5	47252-040
20	.312-18 X 1.00 LG. S.S. HEX HEAD SCREW	2	47252-039
21	.312-18 X 1.00 LG. S.S. HEX HEAD SCREW	2	47252-039
22	.312-18 X 1.00 LG. S.S. HEX HEAD SCREW	2	47252-039
23	SPRING HUB	6	66857-002
24	.250 LOCK WASHER	3	47252-028
25	.250-20 X .500 LG. SLOTTED HEX HEAD SCREW	1	59593-601
26	BLOWOUT COIL ASSEMBLY	1	59584-800
27	BLOWOUT GUARD	1	59589-800
28	BLOWOUT CORE	1	59589-802
29	BLOWOUT CORE INSULATOR	1	59589-802
30	FLUX PLATE ASSEMBLY - LEFT HAND	2	59589-000
31	FLUX PLATE ASSEMBLY - RIGHT HAND	2	59589-002
32	SUPPORT PLATFORM	1	66870-041
33	SUPPORT SPACER	2	47246-102
34	.375-16 X .75 LG. HEX HEAD SCREW	2	47253-021
35	.250-20 X .62 LG. FLAT HEAD SCREW	2	47246-108
36	.250-20 X .50 LG. BRASS FLAT HEAD SCREW	2	47665-108
37	STARTER PLATE	1	59610-000
38	COIL CORE	2	67628-000
39	COIL CORE CAP SPACER	2	41791-000
40	COIL CORE CAP	2	61763-000
41	.312-18 X .75 LG. HEX HEAD SCREW	2	47246-079
42	OPERATING COIL (SEE CHART)	1	58441-069
43	NAMEPLATE (NOT SHOWN)	2	59597-000
44	ARMATURE STOP SUPPORT RAIL	2	57438-050
45	INSULATOR 1 X 1 (250-20)	1	48497-001
46	ARMATURE STOP	2	59589-000
47	ANTI BOUNCE STOP	1	59614-000
48	ANTI BOUNCE WEIGHT	1	59615-000
49	.312-18 X .62 LG. HEA HEAD SCREW	2	47246-078
50	.312-18 X 5.25 LG. STUD	1	66475-025
51	.250-20 X .500 S.S. HEX HEAD SCREW	2	47779-061

- NOTES: * Δ ○ ⊕ ⊗ (NOT INCLUDED WITH COMPLETE CONTACTOR ASSEMBLY).
 * ITEM 73 MECHANICAL INTERLOCK ASSEMBLY PART NO. 59625-006 (ORDERED SEPARATELY).
 Δ ITEM 74,75,76,77 PLUNGER AUXILIARY GROUP (INC. (ORDERED SEPARATELY)).
 ○ ITEM 92 THE BAR GROUP SIZE 6 ONLY (10" MTG. CENTERS) (NOT SHOWN) (ORDERED SEPARATELY).
 ⊕ ITEM 102 CLAMP TERMINAL P/N 57300-058 1/0, 300 MCM (ORDERED SEPARATELY).
 ⊗ ITEM 87 SPACER USED ONLY WHEN POWER CRIMP TERMINALS ARE USED. (ORDERED SEPARATELY).

56	.250 S.S. LOCK WASHER	2	47252-238
57	.312-18 S.S. HEX NUT	2	47796-103
58	BRACKET	2	59580-000
59	LINK	2	59579-000
60	SPACER-TOP	2	59578-000
61	SPACER-BOTTOM	2	59577-000
62	.312-18 X 3.75 LG. BRASS STUD	2	57438-047
63	.312-18 X 5.25 LG. BRASS STUD	1	57438-049
64	.312 BRASS FLAT WASHER	8	47251-012
65	.312-18 HEX NUT	6	47284-013
66	.312-18 X 3.75 LG. HEX HEAD SCREW	1	47246-555
67	.312-18 HEX NUT ESNA	1	47301-013
68	.500-13 X 2.75 LG. HEX HEAD SCREW	4	47250-516
69	.500 LOCK WASHER	4	47252-042
70	.500-13 FULL HEX NUT	4	47253-505
71	MOLDED BASE ASSEMBLY	1	59579-601
72	MECHANICAL INTERLOCK ASSEMBLY(SIZE 6 ONLY)	1	59625-006
73	MECHANICAL INTERLOCK ASSEMBLY (SP1)	1	59625-009
74	PLUNGER AUXILIARY (SINGLE L.H.) GROUP	1	59620-006
75	PLUNGER AUXILIARY (DOUBLE L.H.) GROUP	1	59620-106
76	PLUNGER AUXILIARY (SINGLE R.H.) GROUP	1	59620-186
77	PLUNGER AUXILIARY (DOUBLE R.H.) GROUP	1	59620-186
78	COMPLETE ARC SHIELD & ARC TRANSFER ASSEMBLY	4	59662-806
79	.312-18 X 1.25 LG. HEX HEAD SCREW	4	47246-092
80	.375-16 X 1.75 LG. HEX HEAD SCREW	2	47246-106
81	.375-16 X 4.00 LG. HEX HEAD SCREW	1	47246-117
82	.375-16 X 4.50 LG. HEX HEAD SCREW	2	47246-514
83	.500-13 X 1.50 LG. S.S. HEX HEAD SCREW	2	47779-110
84	.720 EXTERNAL TOOTH RETAINING RING	2	57429-026
85	.875 EXTERNAL TOOTH RETAINING RING	2	57429-027
86	BASE	1	59576-003
87	SPACER (QTY. 4) OR AS REQUIRED	1	66870-040
88	ARC TRANSFER	1	59662-200
89	HAIR PIN CUTTER	2	57403-005
90	HAIR PIN CUTTER	2	57403-006
91	.312 S.S. LOCK WASHER	4	47252-239
92	THE BAR GROUP SIZE 6 ONLY (NOT SHOWN)	4	59400-026
93	INVOCLIP (NOT SHOWN)	4	57364-003
94	CRIMP TERMINAL	4	57513-003
95	.40 X .50 LG. PAN HEAD TYPE A8 SCREW (NOT SHOWN)	4	47906-020
96	HEAD WIRE #8 X L=33, R=31,50 LG.	5,36	82111300026
97	575 FLAT WASHER	1	57513-066
98	CRIMP TERMINAL	2	57513-066
99	CONTROL WIRE #14 X 9.25 LG.	1,77	8211410814
100	.312-18 X .50 LG. SS HEX HEAD SCREW	2	47779-077
101	ARC SHIELD SPACER	2	67988-006
102	CLAMP TERMINAL (QTY. 4) OR AS REQUIRED	2	57300-058
103			
104			
105			



COMPLETE ASSEMBLY	DC CONTROL DEVICES (COILS IN SERIES)	ITEM 45 DC OPERATING COILS (2)	COIL PART NO.	OHMS EACH COIL AT 20°C
59596-306	230 / 280V	115 / 125V	001	300 OHMS
59596-306	115 / 125V	57.5V	004	75 OHMS
59596-306	80V	40V	005	30 OHMS
59596-306	36V	18V	006	5.2 OHMS
59596-306	460 / 550V	230 / 250 / 275V	003	680 OHMS
59596-306	230 / 250V	115 / 125V	001	300 OHMS
59596-306	115 / 125V	57.5V	004	75 OHMS
59596-306	80V	40V	005	30 OHMS
59596-306	36V	18V	006	5.2 OHMS

- REPAIR PARTS BULLETIN 5210
 MOLDED BASE FRONT REMOVABLE
 600 AMP, 1 POLE, N.O.
 DC CONTACTOR, SIZE 6

9-22-00 TLJ
 2-21-00 TLJ
 ITEM 66 WAS 1.50 LG. ADDED ITEM 97
 UPDATED DRAWING

59600301
 06/13/96
 Hubbell Industrial Controls, Inc.
 WSM
 59600-3