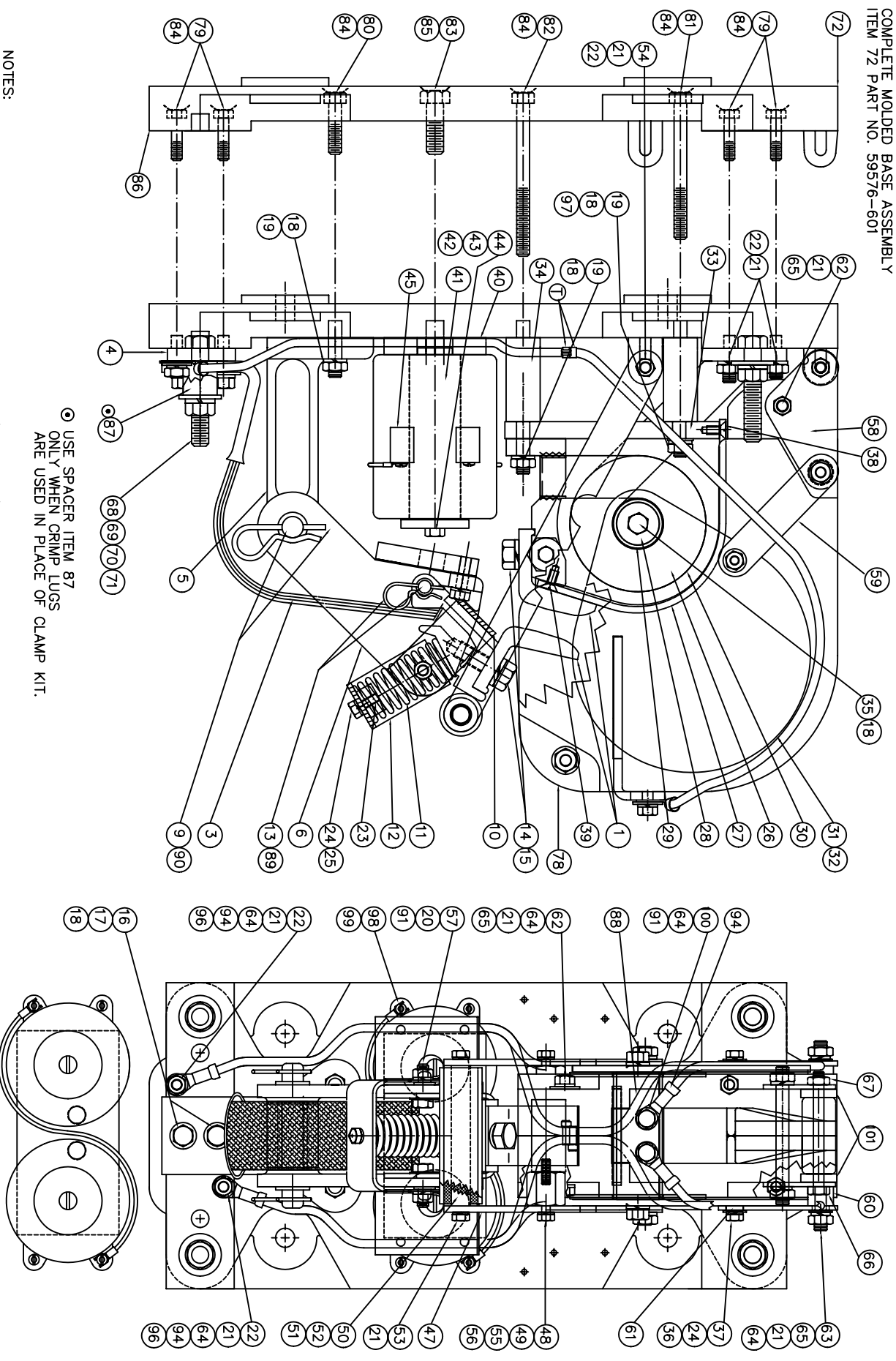
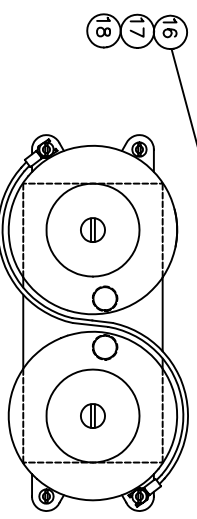


COMPLETE MOLDED BASE ASSEMBLY
ITEM 72 PART NO. 59576-601



NOTES:
ITEM 38 & 39 USE THREAD LOCK AND PRICK PUNCH SCREWS.
Ⓢ USE (2) NYLON CABLE TIES .18" WIDE (AS SHOWN).

Ⓢ USE SPACER ITEM 87 ONLY WHEN CRIMP LUGS ARE USED IN PLACE OF CLAMP KIT.



REV	DATE	BY	DESCRIPTION	UNLESS OTHERWISE SPECIFIED	UNLESS OTHERWISE SPECIFIED
E				QTY 1	SIZE 1/2"
D				QTY 1	SIZE 1/2"
C	9-22-00	TUJ	ADDED ITEM 97	QTY 1	SIZE 1/2"
B	2-21-00	TUJ	UPDATED DRAWING	QTY 1	SIZE 1/2"
A	6-27-96	WSM	ARC TRANSFER WIRES CHANGED	QTY 1	SIZE 1/2"

LINE NO.	QTY	DESCRIPTION	DATE	BY
1	1	REPAIR PARTS BULLETIN 5210	6-13-96	DR:WSM
2	1	MOLDED BASE FRONT REMOVABLE		
3	1	900 AMP, 1 POLE, N.O.		
4	1	DC CONTACTOR, SIZE 7		

DRG. NO. **RPC-59700-3** 1 OF 2