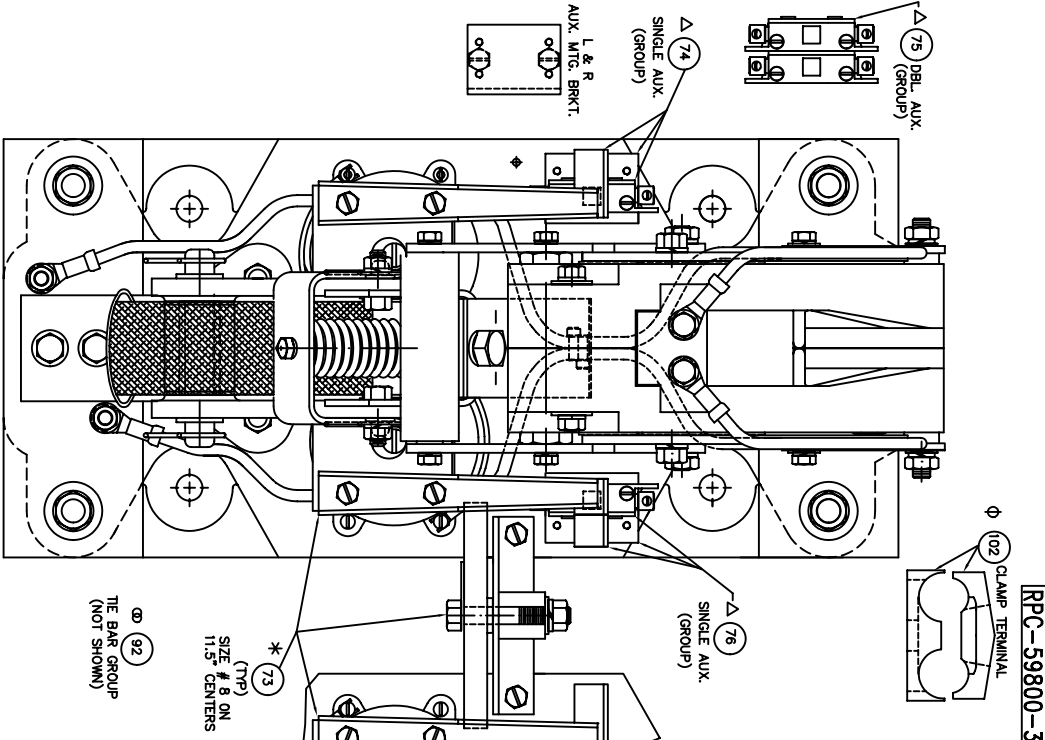


ITEM	DESCRIPTION	QTY	PART NO.
1	CONTACT TIP	2	SEE CHART
2	SHUNT ASSEMBLY	1	59805-811
3	TERMINAL BUSS	1	59590-802
4	ARMATURE SUPPORT ASSEMBLY	1	59609-001
5	ARMATURE ASSEMBLY	1	59608-620
6	ARMATURE HINGE PIN	1	59649-002
7	CONTACT REST YOKE	1	59607-000
8	SPRING	1	67981-009
9	SPRING RETAINER YOKE	1	59606-000
10	HOLDER ARM HINGE PIN	1	59648-011
11	500-13 X 1.25 LG. S.S. HEX HEAD SCREW	2	47779-109
12	500-13 X 1.00 LG. HEX HEAD SCREW	2	47252-242
13	375 S.S. FLAT WASHER	2	47246-103
14	375 S.S. FLAT WASHER	2	47250-295
15	375 S.S. FLAT WASHER	2	47252-040
16	375 S.S. FLAT WASHER	2	47253-603
17	375 S.S. FLAT WASHER	2	47253-021
18	375 S.S. FLAT WASHER	2	47250-502
19	375-16 X 1.00 LG. S.S. HEX HEAD SCREW	2	47246-106
20	375-16 X 1.00 LG. S.S. HEX HEAD SCREW	2	47246-117
21	375-16 X 1.00 LG. S.S. HEX HEAD SCREW	2	47246-514
22	375-16 X 1.00 LG. S.S. HEX HEAD SCREW	2	47246-514
23	375-16 X 1.00 LG. S.S. HEX HEAD SCREW	2	47246-514
24	375-16 X 1.00 LG. S.S. HEX HEAD SCREW	2	47246-514
25	375-16 X 1.00 LG. S.S. HEX HEAD SCREW	2	47246-514
26	375-16 X 1.00 LG. S.S. HEX HEAD SCREW	2	47246-514
27	375-16 X 1.00 LG. S.S. HEX HEAD SCREW	2	47246-514
28	375-16 X 1.00 LG. S.S. HEX HEAD SCREW	2	47246-514
29	375-16 X 1.00 LG. S.S. HEX HEAD SCREW	2	47246-514
30	375-16 X 1.00 LG. S.S. HEX HEAD SCREW	2	47246-514
31	375-16 X 1.00 LG. S.S. HEX HEAD SCREW	2	47246-514
32	375-16 X 1.00 LG. S.S. HEX HEAD SCREW	2	47246-514
33	375-16 X 1.00 LG. S.S. HEX HEAD SCREW	2	47246-514
34	375-16 X 1.00 LG. S.S. HEX HEAD SCREW	2	47246-514
35	375-16 X 1.00 LG. S.S. HEX HEAD SCREW	2	47246-514
36	375-16 X 1.00 LG. S.S. HEX HEAD SCREW	2	47246-514
37	375-16 X 1.00 LG. S.S. HEX HEAD SCREW	2	47246-514
38	375-16 X 1.00 LG. S.S. HEX HEAD SCREW	2	47246-514
39	375-16 X 1.00 LG. S.S. HEX HEAD SCREW	2	47246-514
40	375-16 X 1.00 LG. S.S. HEX HEAD SCREW	2	47246-514
41	375-16 X 1.00 LG. S.S. HEX HEAD SCREW	2	47246-514
42	375-16 X 1.00 LG. S.S. HEX HEAD SCREW	2	47246-514
43	375-16 X 1.00 LG. S.S. HEX HEAD SCREW	2	47246-514
44	375-16 X 1.00 LG. S.S. HEX HEAD SCREW	2	47246-514
45	375-16 X 1.00 LG. S.S. HEX HEAD SCREW	2	47246-514
46	375-16 X 1.00 LG. S.S. HEX HEAD SCREW	2	47246-514
47	375-16 X 1.00 LG. S.S. HEX HEAD SCREW	2	47246-514
48	375-16 X 1.00 LG. S.S. HEX HEAD SCREW	2	47246-514
49	375-16 X 1.00 LG. S.S. HEX HEAD SCREW	2	47246-514
50	375-16 X 1.00 LG. S.S. HEX HEAD SCREW	2	47246-514
51	375-16 X 1.00 LG. S.S. HEX HEAD SCREW	2	47246-514
52	375-16 X 1.00 LG. S.S. HEX HEAD SCREW	2	47246-514
53	375-16 X 1.00 LG. S.S. HEX HEAD SCREW	2	47246-514
54	375-16 X 1.00 LG. S.S. HEX HEAD SCREW	2	47246-514
55	375-16 X 1.00 LG. S.S. HEX HEAD SCREW	2	47246-514

56	250 S.S. LOCK WASHER	2	47252-238
57	372-18 S.S. HEX NUT	1	47796-103
58	BRACKET	2	59590-000
59	LINK	2	59578-000
60	SPACER-TOP	2	59577-000
61	SPACER-BOTTOM	2	59578-000
62	372-18 X 3.75 LG. BRASS STUD	2	57438-047
63	372-18 X 5.25 LG. BRASS STUD	1	57438-049
64	372 BRASS FLAT WASHER	8	47251-012
65	372-18 BRASS HEX NUT	6	47254-013
66	372-18 X 3.75 LG. HEX HEAD SCREW	1	47246-535
67	372-18 X 3.75 LG. HEX HEAD SCREW	1	47251-013
68	500-13 X 2.75 LG. HEX HEAD SCREW	4	47246-538
69	500 FLAT WASHER	4	47250-316
70	500 LOCK WASHER	4	47252-042
71	500-13 FULL HEX NUT	4	47253-505
72	MOLDED BASE ASSEMBLY	1	59576-601
73	MECHANICAL INTERLOCK ASSEMBLY	1	59625-008
74	MECHANICAL INTERLOCK ASSEMBLY (SPL)	1	59625-009
75	PLUNGER AUXILIARY (SINGLE L.H.) GROUP	1	59620-066
76	PLUNGER AUXILIARY (DOUBLE L.H.) GROUP	1	59620-106
77	PLUNGER AUXILIARY (SINGLE R.H.) GROUP	1	59620-168
78	PLUNGER AUXILIARY (DOUBLE R.H.) GROUP	1	59620-168
79	COMPLETE ARC SHIELD & ARC TRANSFER ASSEMBLY	4	59622-806
80	375-16 X 1.75 LG. HEX HEAD SCREW	2	47246-082
81	375-16 X 1.75 LG. HEX HEAD SCREW	2	47246-106
82	375-16 X 4.00 LG. HEX HEAD SCREW	2	47246-117
83	500-13 X 1.50 LG. S.S. HEX HEAD SCREW	2	47246-514
84	750 EXTERNAL TOOTH RETAINING RING	2	47779-110
85	875 EXTERNAL TOOTH RETAINING RING	2	57429-026
86	BASE	1	59576-003
87	SPACER (QTY. 4) OR AS REQUIRED	1	66976-040
88	ARC TRANSFER	1	59622-200
89	HAIR PIN COLLER	2	57403-005
90	HAIR PIN COLLER	2	57403-006
91	372 S.S. LOCK WASHER	4	47252-239
92	THE BAR GROUP SIZE 8 ONLY (NOT SHOWN)	4	59400-028
93	HYOCLP (NOT SHOWN)	4	57464-003
94	CRIMP TERMINAL	4	57513-060
95	#8 X .50 LG. PAN HEAD TYPE A8 SCREW (NOT SHOWN)	5,38	821130008
96	LEAD WIRE #8 XL=33, R=31, 50 LG.	1	57513-068
97	375 FLAT WASHER	2	57513-068
98	CRIMP TERMINAL	2	57513-068
99	CONTROL WIRE #14 X 9.25 LG.	1	8211410614
100	372-18 X .50 LG. S.S. HEX HEAD SCREW	2	47779-077
101	ARC SHIELD SPACER	2	67988-006
102	CLAMP TERMINAL (QTY. 4) OR AS REQUIRED	2	57300-048
103			
104			
105			



ITEM	DESCRIPTION	QTY	PART NO.
1	CONTACT TIP	2	SEE CHART
2	SHUNT ASSEMBLY	1	59805-811
3	TERMINAL BUSS	1	59590-802
4	ARMATURE SUPPORT ASSEMBLY	1	59609-001
5	ARMATURE ASSEMBLY	1	59608-620
6	ARMATURE HINGE PIN	1	59649-002
7	CONTACT REST YOKE	1	59607-000
8	SPRING	1	67981-009
9	SPRING RETAINER YOKE	1	59606-000
10	HOLDER ARM HINGE PIN	1	59648-011
11	500-13 X 1.25 LG. S.S. HEX HEAD SCREW	2	47779-109
12	500-13 X 1.00 LG. HEX HEAD SCREW	2	47252-242
13	375 S.S. FLAT WASHER	2	47246-103
14	375 S.S. FLAT WASHER	2	47250-295
15	375 S.S. FLAT WASHER	2	47252-040
16	375 S.S. FLAT WASHER	2	47253-603
17	375 S.S. FLAT WASHER	2	47253-021
18	375 S.S. FLAT WASHER	2	47250-502
19	375-16 X 1.00 LG. S.S. HEX HEAD SCREW	2	47246-106
20	375-16 X 1.00 LG. S.S. HEX HEAD SCREW	2	47246-117
21	375-16 X 1.00 LG. S.S. HEX HEAD SCREW	2	47246-514
22	375-16 X 1.00 LG. S.S. HEX HEAD SCREW	2	47246-514
23	375-16 X 1.00 LG. S.S. HEX HEAD SCREW	2	47246-514
24	375-16 X 1.00 LG. S.S. HEX HEAD SCREW	2	47246-514
25	375-16 X 1.00 LG. S.S. HEX HEAD SCREW	2	47246-514
26	375-16 X 1.00 LG. S.S. HEX HEAD SCREW	2	47246-514
27	375-16 X 1.00 LG. S.S. HEX HEAD SCREW	2	47246-514
28	375-16 X 1.00 LG. S.S. HEX HEAD SCREW	2	47246-514
29	375-16 X 1.00 LG. S.S. HEX HEAD SCREW	2	47246-514
30	375-16 X 1.00 LG. S.S. HEX HEAD SCREW	2	47246-514
31	375-16 X 1.00 LG. S.S. HEX HEAD SCREW	2	47246-514
32	375-16 X 1.00 LG. S.S. HEX HEAD SCREW	2	47246-514
33	375-16 X 1.00 LG. S.S. HEX HEAD SCREW	2	47246-514
34	375-16 X 1.00 LG. S.S. HEX HEAD SCREW	2	47246-514
35	375-16 X 1.00 LG. S.S. HEX HEAD SCREW	2	47246-514
36	375-16 X 1.00 LG. S.S. HEX HEAD SCREW	2	47246-514
37	375-16 X 1.00 LG. S.S. HEX HEAD SCREW	2	47246-514
38	375-16 X 1.00 LG. S.S. HEX HEAD SCREW	2	47246-514
39	375-16 X 1.00 LG. S.S. HEX HEAD SCREW	2	47246-514
40	375-16 X 1.00 LG. S.S. HEX HEAD SCREW	2	47246-514
41	375-16 X 1.00 LG. S.S. HEX HEAD SCREW	2	47246-514
42	375-16 X 1.00 LG. S.S. HEX HEAD SCREW	2	47246-514
43	375-16 X 1.00 LG. S.S. HEX HEAD SCREW	2	47246-514
44	375-16 X 1.00 LG. S.S. HEX HEAD SCREW	2	47246-514
45	375-16 X 1.00 LG. S.S. HEX HEAD SCREW	2	47246-514
46	375-16 X 1.00 LG. S.S. HEX HEAD SCREW	2	47246-514
47	375-16 X 1.00 LG. S.S. HEX HEAD SCREW	2	47246-514
48	375-16 X 1.00 LG. S.S. HEX HEAD SCREW	2	47246-514
49	375-16 X 1.00 LG. S.S. HEX HEAD SCREW	2	47246-514
50	375-16 X 1.00 LG. S.S. HEX HEAD SCREW	2	47246-514
51	375-16 X 1.00 LG. S.S. HEX HEAD SCREW	2	47246-514
52	375-16 X 1.00 LG. S.S. HEX HEAD SCREW	2	47246-514
53	375-16 X 1.00 LG. S.S. HEX HEAD SCREW	2	47246-514
54	375-16 X 1.00 LG. S.S. HEX HEAD SCREW	2	47246-514
55	375-16 X 1.00 LG. S.S. HEX HEAD SCREW	2	47246-514

ITEM	DESCRIPTION	QTY	PART NO.
56	250 S.S. LOCK WASHER	2	47252-238
57	372-18 S.S. HEX NUT	1	47796-103
58	BRACKET	2	59590-000
59	LINK	2	59578-000
60	SPACER-TOP	2	59577-000
61	SPACER-BOTTOM	2	59578-000
62	372-18 X 3.75 LG. BRASS STUD	2	57438-047
63	372-18 X 5.25 LG. BRASS STUD	1	57438-049
64	372 BRASS FLAT WASHER	8	47251-012
65	372-18 BRASS HEX NUT	6	47254-013
66	372-18 X 3.75 LG. HEX HEAD SCREW	1	47246-535
67	372-18 X 3.75 LG. HEX HEAD SCREW	1	47251-013
68	500-13 X 2.75 LG. HEX HEAD SCREW	4	47246-538
69	500 FLAT WASHER	4	47250-316
70	500 LOCK WASHER	4	47252-042
71	500-13 FULL HEX NUT	4	47253-505
72	MOLDED BASE ASSEMBLY	1	59576-601
73	MECHANICAL INTERLOCK ASSEMBLY	1	59625-008
74	MECHANICAL INTERLOCK ASSEMBLY (SPL)	1	59625-009
75	PLUNGER AUXILIARY (SINGLE L.H.) GROUP	1	59620-066
76	PLUNGER AUXILIARY (DOUBLE L.H.) GROUP	1	59620-106
77	PLUNGER AUXILIARY (SINGLE R.H.) GROUP	1	59620-168
78	PLUNGER AUXILIARY (DOUBLE R.H.) GROUP	1	59620-168
79	COMPLETE ARC SHIELD & ARC TRANSFER ASSEMBLY	4	59622-806
80	375-16 X 1.75 LG. HEX HEAD SCREW	2	47246-082
81	375-16 X 1.75 LG. HEX HEAD SCREW	2	47246-106
82	375-16 X 4.00 LG. HEX HEAD SCREW	2	47246-117
83	500-13 X 1.50 LG. S.S. HEX HEAD SCREW	2	47246-514
84	750 EXTERNAL TOOTH RETAINING RING	2	47779-110
85	875 EXTERNAL TOOTH RETAINING RING	2	57429-026
86	BASE	1	59576-003
87	SPACER (QTY. 4) OR AS REQUIRED	1	66976-040
88	ARC TRANSFER	1	59622-200
89	HAIR PIN COLLER	2	57403-005
90	HAIR PIN COLLER	2	57403-006
91	372 S.S. LOCK WASHER	4	47252-239
92	THE BAR GROUP SIZE 8 ONLY (NOT SHOWN)	4	59400-028
93	HYOCLP (NOT SHOWN)	4	57464-003
94	CRIMP TERMINAL	4	57513-060
95	#8 X .50 LG. PAN HEAD TYPE A8 SCREW (NOT SHOWN)	5,38	821130008
96	LEAD WIRE #8 XL=33, R=31, 50 LG.	1	57513-068
97	375 FLAT WASHER	2	57513-068
98	CRIMP TERMINAL	2	57513-068
99	CONTROL WIRE #14 X 9.25 LG.	1	8211410614
100	372-18 X .50 LG. S.S. HEX HEAD SCREW	2	47779-077
101	ARC SHIELD SPACER	2	67988-006
102	CLAMP TERMINAL (QTY. 4) OR AS REQUIRED	2	57300-048
103			
104			
105			

ITEM	DESCRIPTION	QTY	PART NO.
56	250 S.S. LOCK WASHER	2	47252-238
57	372-18 S.S. HEX NUT	1	47796-103
58	BRACKET	2	59590-000
59	LINK	2	59578-000
60	SPACER-TOP	2	59577-000
61	SPACER-BOTTOM	2	59578-000
62	372-18 X 3.75 LG. BRASS STUD	2	57438-047
63	372-18 X 5.25 LG. BRASS STUD	1	57438-049
64	372 BRASS FLAT WASHER	8	47251-012
65	372-18 BRASS HEX NUT	6	47254-013
66	372-18 X 3.75 LG. HEX HEAD SCREW	1	47246-535
67	372-18 X 3.75 LG. HEX HEAD SCREW	1	47251-013
68	500-13 X 2.75 LG. HEX HEAD SCREW	4	47246-538
69	500 FLAT WASHER	4	47250-316
70	500 LOCK WASHER	4	47252-042
71	500-13 FULL HEX NUT	4	47253-505
72	MOLDED BASE AS		