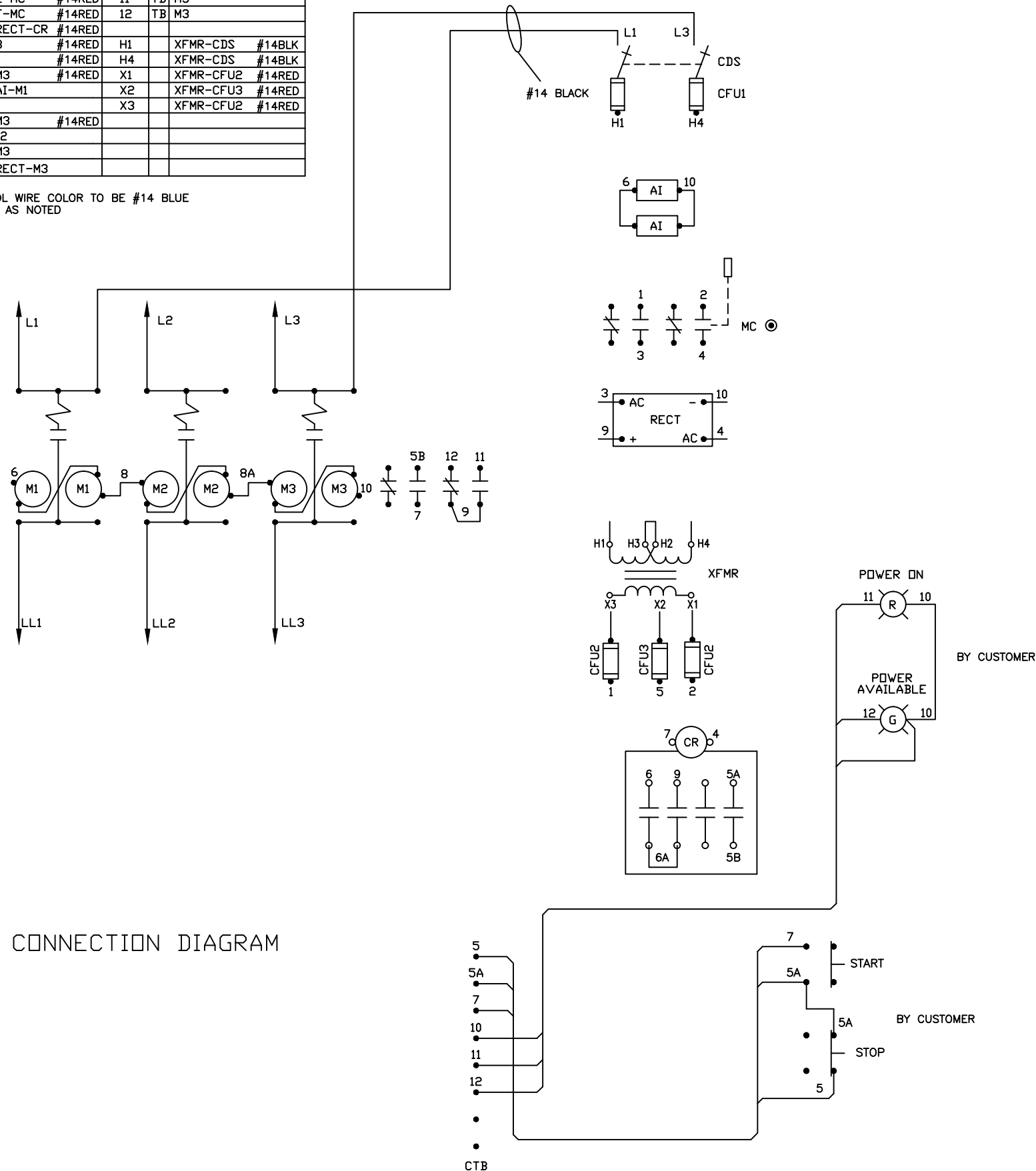


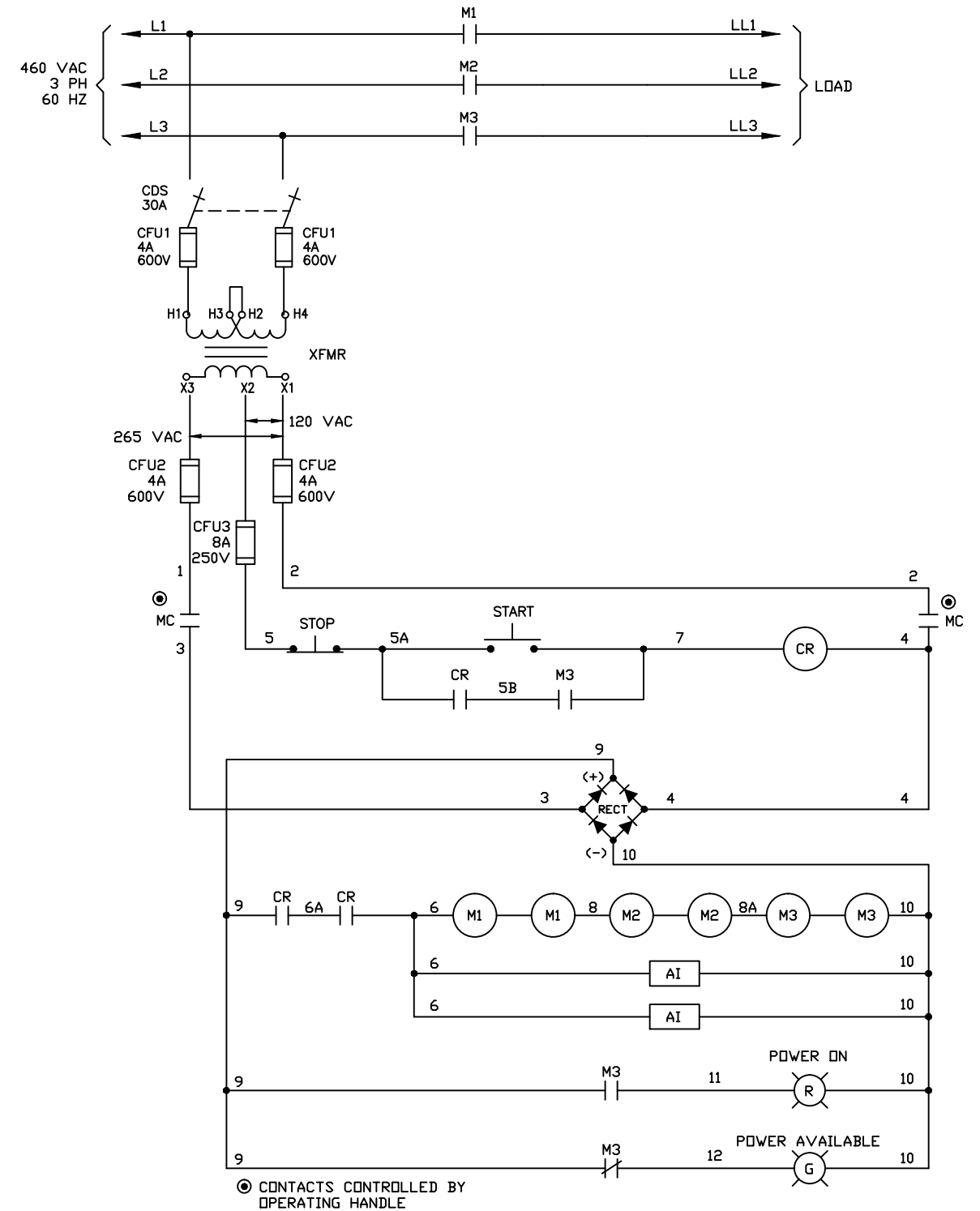
WIRE#	CONNECT TO	WIRE#	CONNECT TO
1	CFU2-MC #14RED	10	TB RECT-AI-M3
2	CFU2-MC #14RED	11	TB M3
3	RECT-MC #14RED	12	TB M3
4	MC-RECT-CR #14RED		
5	TB CFU3 #14RED	H1	XFMR-CDS #14BLK
5A	TB CR #14RED	H4	XFMR-CDS #14BLK
5B	CR-M3 #14RED	X1	XFMR-CFU2 #14RED
6	CR-AI-M1	X2	XFMR-CFU3 #14RED
6A	CR	X3	XFMR-CFU2 #14RED
7	TB CR-M3 #14RED		
8	M1-M2		
8A	M2-M3		
9	CR-RECT-M3		

NOTE: CONTROL WIRE COLOR TO BE #14 BLUE EXCEPT AS NOTED



CONNECTION DIAGRAM

SCHEMATIC DIAGRAM



⊙ CONTACTS CONTROLLED BY OPERATING HANDLE

SYMBOL	FUNCTION	DESCRIPTION	REPAIR BULLETIN	P/N	QTY
CDS	CONTROL DISCONNECT	P/N 650181			
CR	CONTROL RELAY	A-B #700PK400A1			
XFMR	CONTROL TRANSFORMER	MICRON 750VA 240/480VAC-265/120VAC			
CTB	CONTROL TERMINAL BOARD	CURTIS CDM-8			
RECT	RECTIFIER	5 AMP P/N 48836-101			
AI	ARC SUPPRESSOR	P/N 48422-001 (2)			
M	MAINLINE CONTACTOR	600 AMP AC 3 POLE DC OPER.	RPC-59600-4	69643-005	6

Rev	DATE	BY	DESCRIPTION	M/L NO.	DATE	DR. SM	ENG
E				M/L NO. HC4245A061200301	1/26/10	DR. SM	ENG
D				MOTION MAN-MAG			
C				CADD NO. HC4245A061200401			
B				Disk No. HC4245A061200401			
A	8-8-16	JC	ADD CONFIDENTIALITY NOTICE				

THIS DRAWING FILE AND THE DATA SHOWN IS PROPRIETARY AND CONFIDENTIAL AND THE SOLE PROPERTY OF HUBBELL INDUSTRIAL CONTROLS. DO NOT USE, MODIFY OR REPRODUCE WITHOUT WRITTEN APPROVAL FROM HUBBELL.