

A

4960-STD-WR-HST

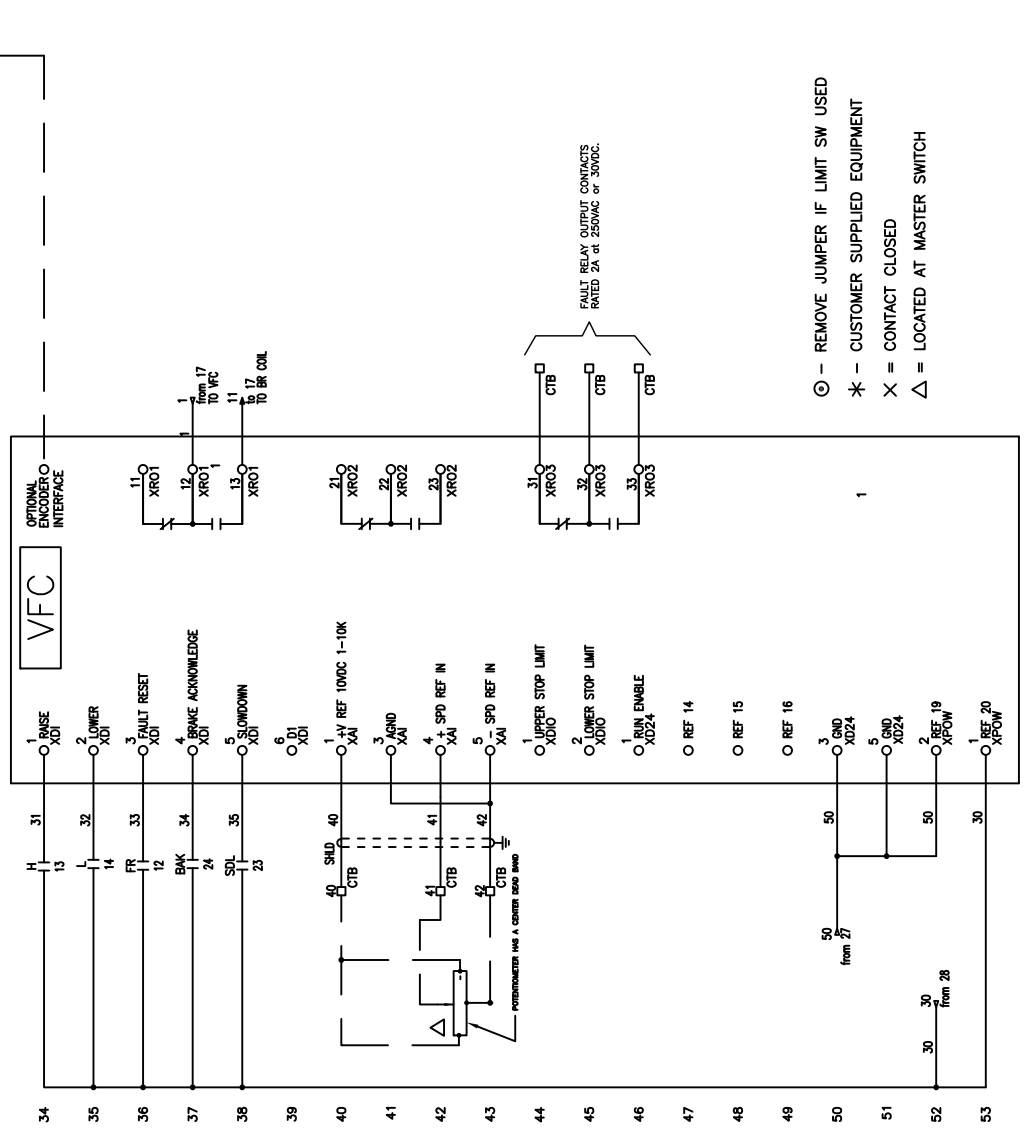
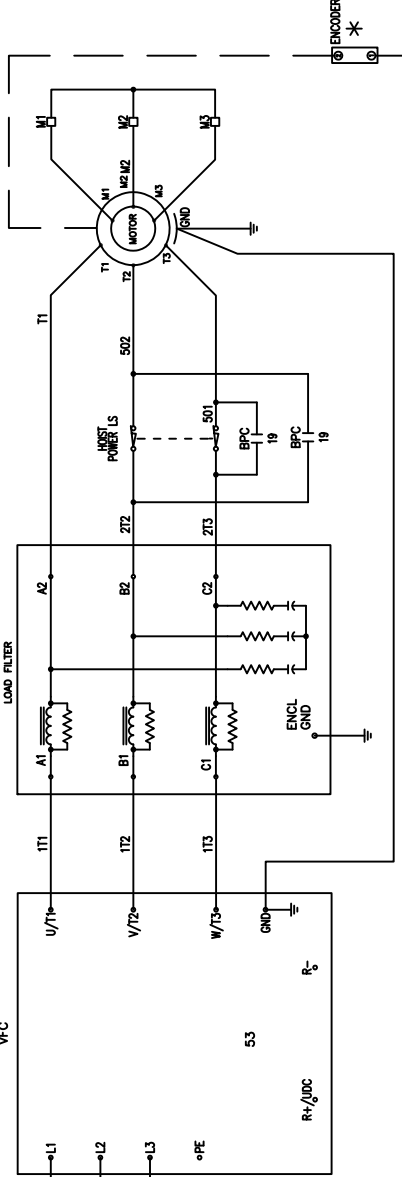
C

D

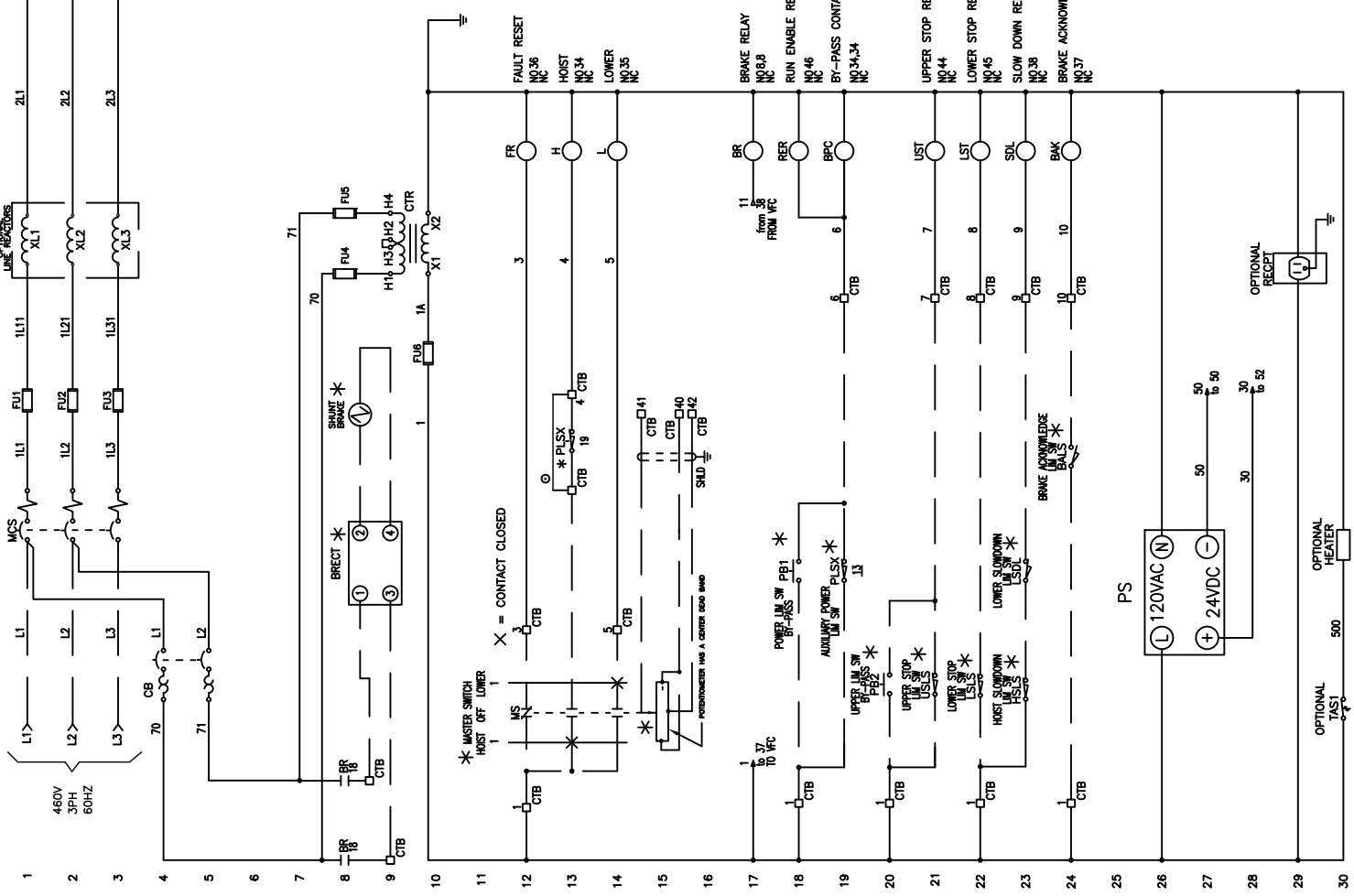
E

- INCREMENTAL ENCODERS TYPICALLY USED WITH HOIST CONTROLLERS ONLY (NOT USUALLY WITH BRIDGE OR TROLLEY)
- HOIST CONTROLS USUALLY USE INCREMENTAL ENCODERS.
- THE ENCODER INTERFACE MODULES SUPPORT UP TO A 350MA LOAD.
- WHENEVER AN ENCODER INTERFACE MODULE IS USED AN EXTERNAL POWER SUPPLY MUST BE USED.

- AN EXTERNAL POWER SUPPLY MUST BE USED WHENEVER THE LOAD EXCEEDS 200MA.
- LOAD ITEMS INCLUDE:
 - ENCODERS
 - DIGITAL OUTPUTS



- - REMOVE JUMPER IF LIMIT SW USED
- * - CUSTOMER SUPPLIED EQUIPMENT
- X = CONTACT CLOSED
- △ = LOCATED AT MASTER SWITCH



A

B

C

D

E

Rev	DATE	BY	DESCRIPTION	1	2	3	4	5	6	7	8	
K												
J												
H												
G												
F												
DESCRIPTION				SCHEMATIC								
DESCRIPTION				STANDARD WOUND ROTOR MOTOR								
DESCRIPTION				HOIST CONTROLLER								
DESCRIPTION				WITH ALL STANDARD OPTIONS SHOWN								
DESCRIPTION				DATE:	DR:	ENG:	REF:					
DESCRIPTION				M/L NO: W/D NO: CADD NO: PATH:								
DESCRIPTION				DRG. NO. 4960-STD-WR-HST OF								
DESCRIPTION				Hubbell Industrial Controls, Inc. 4301 Cheyenne Drive, Archdale, N.C. 27263								