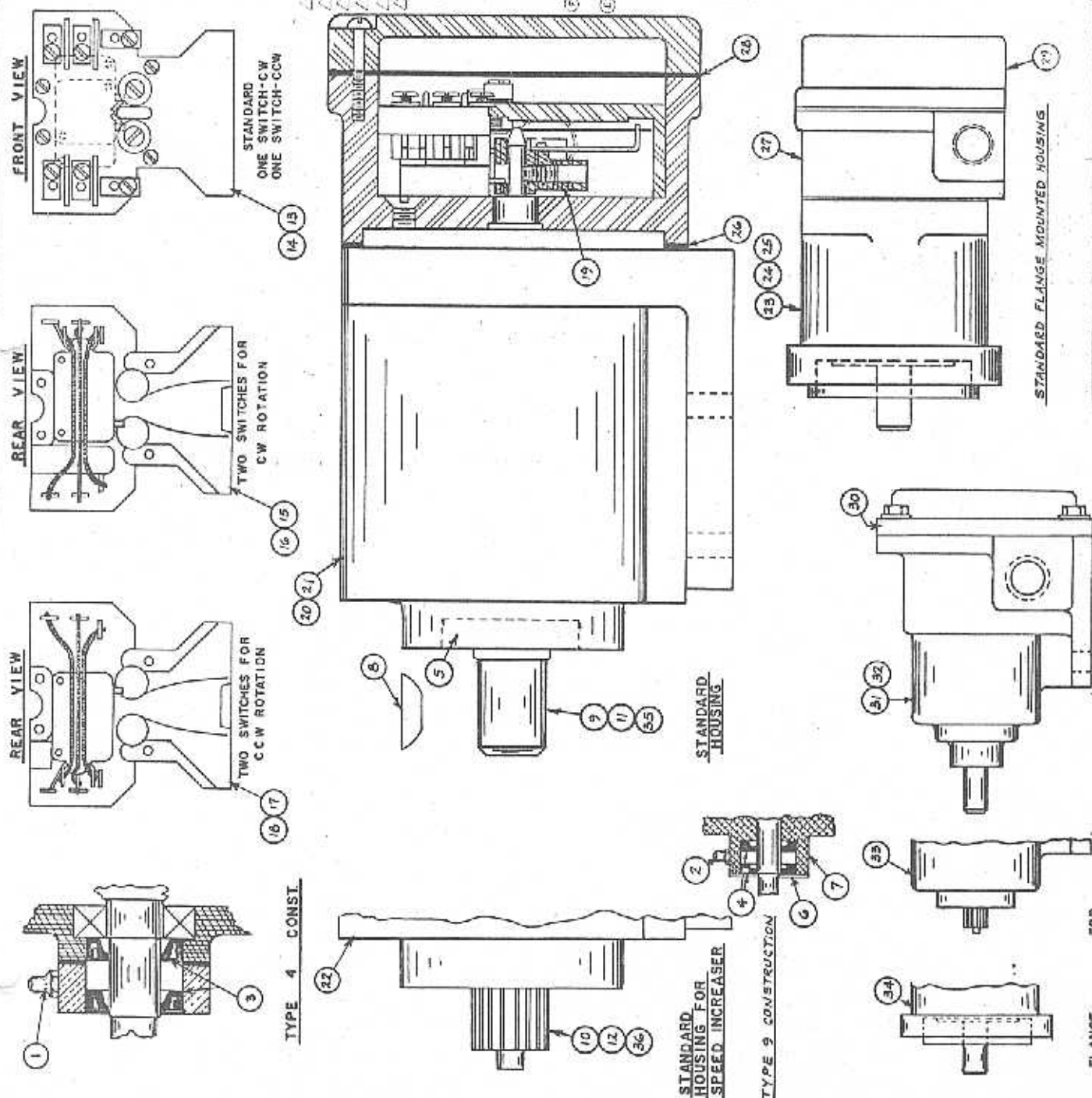


NOTE: WHEN ORDERING REPLACEMENT PARTS ORDER BY PART NAME AND PART NUMBER AND SERIAL NO. GIVE CATALOG NO. AND SERIAL NO. AS SHOWN ON IDENTIFICATION NAME PLATE.

REF. NO.	PART NUMBER	RECD. NO.	PART NAME
1	5-155-004	1	ZERK FITTING (INDIA 4 SWITCH)
2	5-155-002	1	ZERK FITTING (INDIA 8 SWITCH)
3	57427-012	2	SHAFT SEALS (INDIA 4)
4	57427-004	2	SHAFT SEALS (INDIA 8)
5	57427-007	1	SHAFT SEAL (INDIA 3)
6	30425-000	1	SEAL RETAINING WASHER
7	30419-650	1	SEAL SPACER
8	57458-022	1	LOCKWASHER KEY NO. 11
9	55077-001	1	ROTOR MODULE (INDIA 13)
10	55077-003	1	ROTOR MODULE FOR SPD. INC. (INDIA 4 & 13)
11	55077-002	1	ROTOR MODULE (INDIA 4 & 28 UNITS)
12	55077-004	1	ROTOR MODULE FOR SPD. INC. (XP. SWITCH)
13	55080-001	1	TERMINAL BOARD ASSY. (111 CC)
14	55080-002	1	TERMINAL BOARD ASSY. (121 CC)
15	55080-003	1	TERMINAL BOARD ASSY. (112 CC)
16	55080-004	1	TERMINAL BOARD ASSY. (122 CC)
17	55080-005	1	TERMINAL BOARD ASSY. (113 CC)
18	55080-008	1	TERMINAL BOARD ASSY. (123 CC)
19	55079-000	1	SWITCH ACTUATOR ASSY.
20	2711-000	1	MAIN HOUSING (INDIA 12)
21	30450-000	1	MAIN HOUSING (INDIA 4)
22	30086-000	1	MAIN HOUSING FOR SPD. INC. (INDIA 4 & 13)
23	26715-000	1	MAIN HOUSING FLANGE MFG.
24	30069-000	1	MAIN HOUSING "A" FLANGE MFG. FOR INT. SPD. INC.
25	30358-000	1	MAIN HOUSING "B" FLANGE MFG. FOR INT. SPD. INC.
26	21819-000	1	MAIN HOUSING GASKET
27	30669-000	1	CONTACT HOUSING
28	30666-000	1	COVER GASKET
29	55082-009	1	REAR COVER ASSY.
30	30059-000	1	REAR COVER (XP SWITCH)
31	30030-000	1	MAIN HOUSING (INDIA 7)
32	30415-000	1	MAIN HOUSING (INDIA 9)
33	30036-000	1	MAIN HOUSING FOR SPD. INC. (INDIA 7 & 9)
34	30162-000	1	MAIN HOUSING FLANGE MFG. (INDIA 7 & 9)
35	55077-005	1	ROTOR MODULE #2 (BLUF)
36	55077-006	1	ROTOR MODULE FOR SPD. INC. #2 (BLUF)



RECOMMENDED SPARE PARTS

REPAIR PARTS DRAWING
FOR BULLETIN 2220 TYPE "F"
FLUID CENTRIFUGAL SWITCH
AND SPEED INCREASER.

INDUSTRIAL CONTROLS DIVISION HARVEY HUBBELL INCORPORATED MADISON, OHIO 44067	DATE	DRAWN BY	REVISED	REVISIONS

12-3-65 A.C.C.

G. 2-1-65 1-5

STANDARD

FOR SPEED INCREASER

EXPLOSION-PROOF HOUSINGS

FLANGE MOUNTED

DRAWING NUMBER
2220