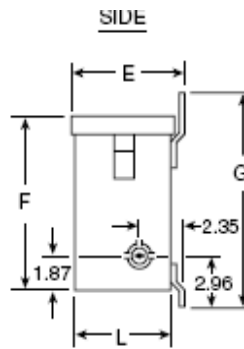
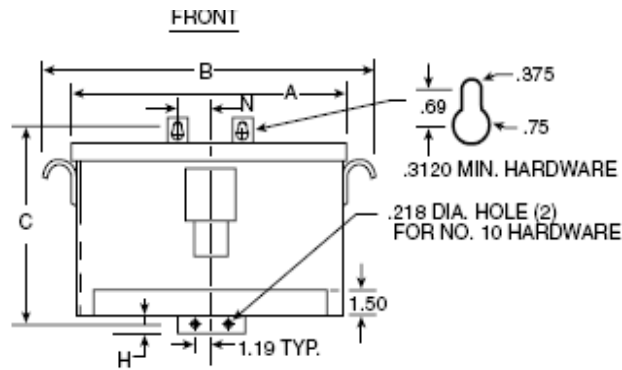


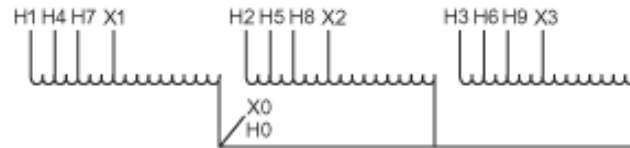
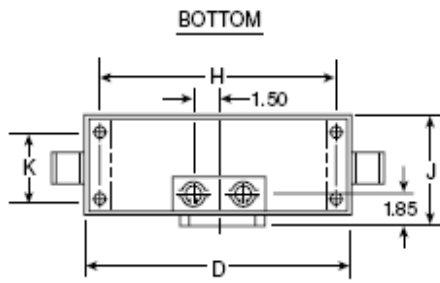
Revisions



PRIMARY: 600 Volts
SECONDARY: 480 Volts
TAPS: 2, 5% BNFC

Primary Volts	Alt Rating	Connect Primary Lines To	Inter-Connect	Connect Secondary Lines To
600	480	H1, H2, H3		
570	456	H4, H5, H6		
540	432	H7, H8, H9		

Secondary Volts				
480	380			X1, X2, X3
277	220			X1 to X0 X2 to X0 X3 to X0
1 phase	1 phase			



Type No.

KVA	CATALOG NUMBER	VOLTAGE		TYPE	WEIGHT	PHASE	FREQ.
		HIGH	LOW				
45/36	T-2-52707-1	600/480	480/380	AUTO	156 Lbs	3φ	60 Hz

TYPICAL PERFORMANCE DATA

Winding Rise	115°C
Insulation	180°C
Sound Level	45 dB

Regulation @ 100% PF		IMPEDANCE	
----------------------	--	-----------	--

Typical Efficiency-35%	99.46%
Full Load Losses	346.23W
No Load Losses	50.92W

A	B	C	D	E	F	G	H	J	K	L	M	N	P	R
16.87	19.25	14.46	16.72	7.37	13.06	15.21	.38	7.31		6.87		3.25		

						A	PRINTS TO	CONTROL 7
--	--	--	--	--	--	----------	-----------	------------------