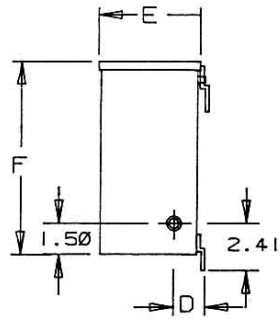
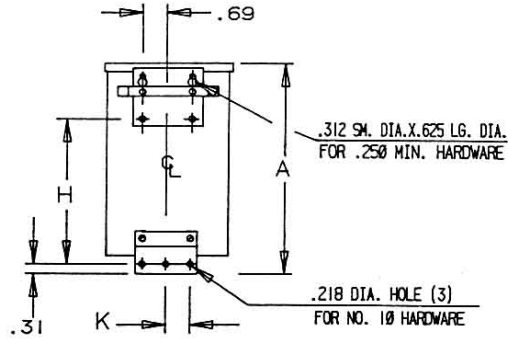


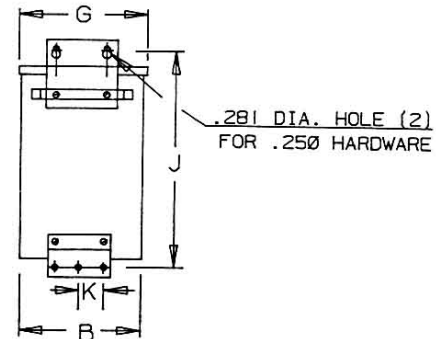
# Revisions



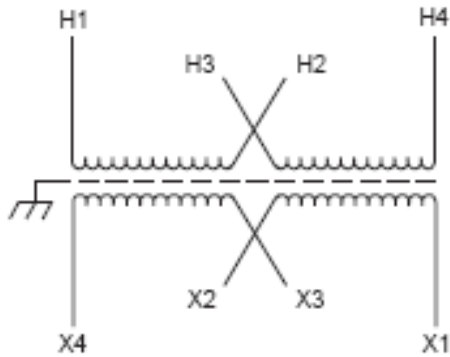
SIDE



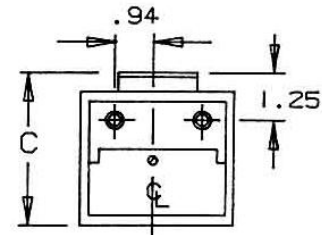
BACK (1)



BACK (2)



Primary Volts	Connect Primary Lines To	Inter-Connect	Connect Secondary Lines To
480	H1-H4	H2 to H3	
240	H1-H3 & H2-H4		
Secondary Volts			
240		X2 to X3	X1-X4
120/240		X2 to X3	X1-X2-X4
120		X1 to X3 X2 to X4	X1-X4



BOTTOM



Type No.

KVA	CATALOG NUMBER	VOLTAGE		Enclosure Rating	WEIGHT	PHASE	FREQ.
		HIGH	LOW				
0.50	<b>T-2-53008-S</b>	240x480	120/240	NEMA 3R	15 Lbs	1φ	50/60 Hz

### TYPICAL PERFORMANCE DATA

Winding Rise	115°C
Insulation	180°C
Sound Level	45 dB

Regulation @ 100% PF		IMPEDANCE	
----------------------	--	-----------	--

Typical Efficiency	
Full Load Losses	
No Load Losses	

A	B	C	D	E	F	G	H	J	K
8.58	4.28	4.20	1.48	3.98	7.74	4.37	5.09	9.06	.94

A

PRINTS TO

CONTROL  
7