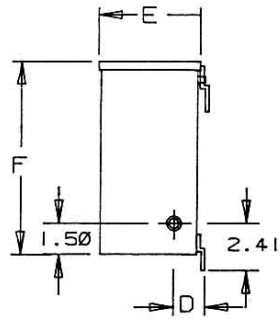
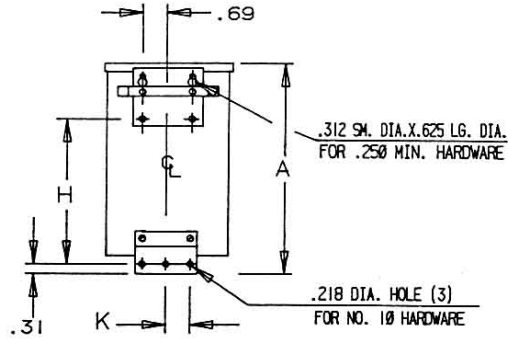


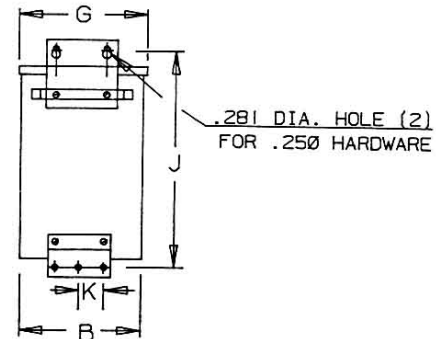
Revisions



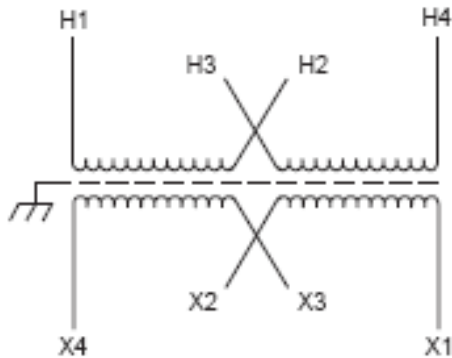
SIDE



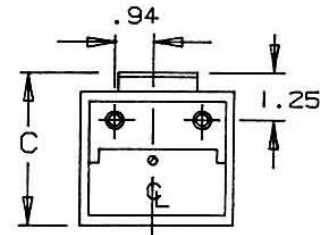
BACK (1)



BACK (2)



Primary Volts	Connect Primary Lines To	Inter-Connect	Connect Secondary Lines To
480	H1-H4	H2 to H3	
240	H1-H3 & H2-H4		
Secondary Volts			
240		X2 to X3	X1-X4
120/240		X2 to X3	X1-X2-X4
120		X1 to X3 X2 to X4	X1-X4



BOTTOM



Type No.

KVA	CATALOG NUMBER	VOLTAGE		Enclosure Rating	WEIGHT	PHASE	FREQ.
		HIGH	LOW				
1.5	T-2-53011-SS	240x480	120/240	NEMA 3R	30 Lbs	1φ	60 Hz

TYPICAL PERFORMANCE DATA

Winding Rise	115°C	Regulation @ 100% PF		IMPEDANCE	Typical Efficiency	
Insulation	180°C				Full Load Losses	
Sound Level	45 dB				No Load Losses	
316 - STAINLESS STEEL- Encapsulated Design						

A	B	C	D	E	F	G	H	J	K
11.14	5.40	5.13	1.67	4.92	10.3	5.50	7.65	11.62	1.50

A

PRINTS TO

CONTROL
7