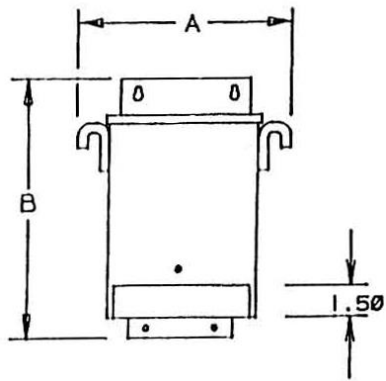
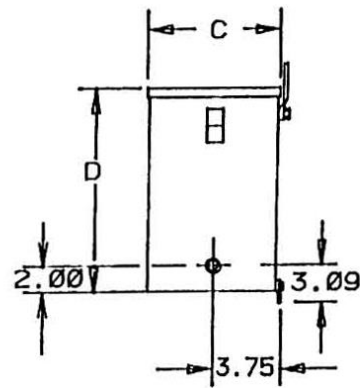


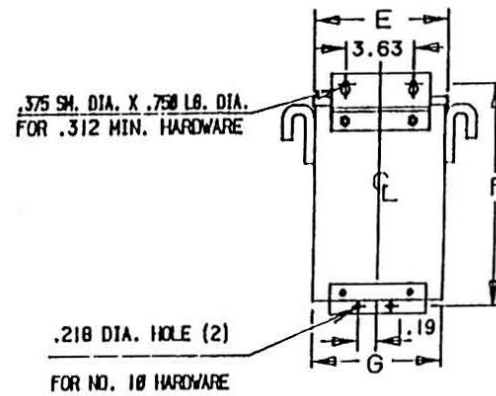
Revisions



FRONT



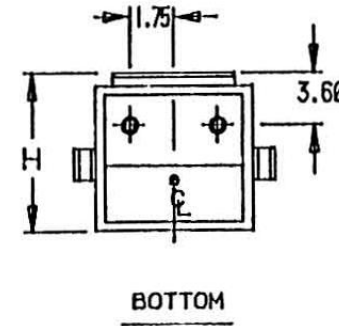
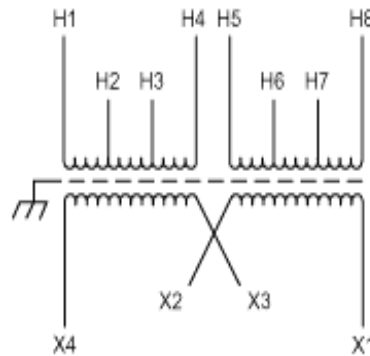
SIDE



BACK

Primary Volts	Connect Primary Lines To	Inter-Connect	Connect Secondary Lines To
252	H1-H8	H1 to H5 H4 to H8	
240	H1-H7	H1 to H5 H3 to H7	
228	H1-H6	H1 to H5 H2 to H6	
504	H1-H8	H4 to H5	
492	H1-H8	H3 to H5	
480	H1-H7	H3 to H5	
468	H1-H7	H2 to H5	
456	H1-H6	H2 to H5	

Secondary Volts			
240		X2 to X3	X1-X4
120/240		X2 to X3	X1-X2-X4
120		X1 to X3 X2 to X4	X1-X4



BOTTOM

KVA	CATALOG NUMBER	VOLTAGE		WIRING DIAGRAM	WEIGHT	PHASE	FREQ.
		HIGH	LOW				
3.0	T-2-53013-4S	240 x 480	120/240		55 Lbs	1φ	60 Hz

TYPICAL PERFORMANCE DATA

Winding Rise	115°C
Insulation	180°C
Sound Level	40 dB

Standards:	UL/CSA	IMPEDANCE	4.38%
------------	--------	-----------	-------

Enclosure: NEMA-3R

Typical Efficiency	95.2%
Full Load Losses	44 W
No Load Losses	167 W

A	B	C	D	E	F	G	H
10.31	12.50	6.65	10.19	7.81	11.50	7.68	7.13



File No.

UL – E79947

CSA - 7357

A

PRINTS TO

**CONTROL
7**