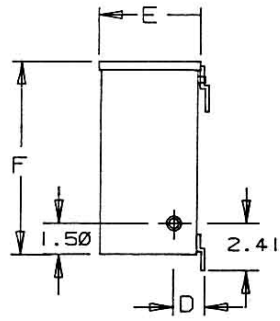
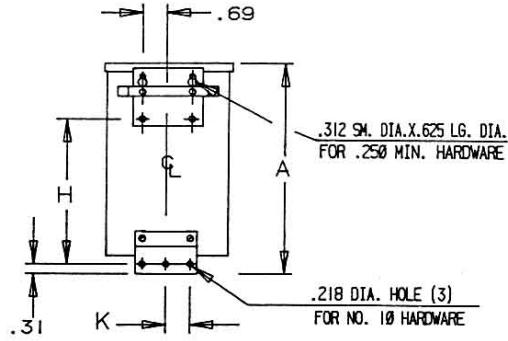


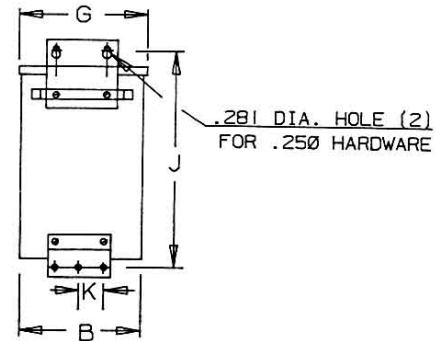
# Revisions



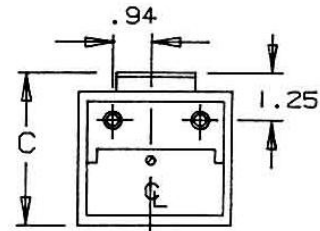
SIDE



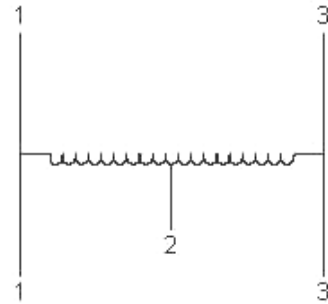
BACK (1)



BACK (2)



BOTTOM



Primary Volts	Connect Primary Lines To	Inter-Connect	Connect Secondary Lines To
240	1-3		
<b>Secondary Volts</b>			
240			1-3
120			1-2 or 2-3
120/240			1-2-3



Type No.

KVA	CATALOG NUMBER	VOLTAGE		WIRING DIAGRAM	WEIGHT	PHASE	FREQ.
		HIGH	LOW				
<b>2.0</b>	<b>T-2-53062</b>	240	120/240		24 Lbs	1φ	60 Hz

TYPICAL PERFORMANCE DATA

Winding Rise	115°C
Insulation	180°C
Sound Level	40 dB

Regulation @ 100% PF		IMPEDANCE	
----------------------	--	-----------	--

AUTO-TRANSFORMER

Typical Efficiency	
Full Load Losses	
No Load Losses	

A	B	C	D	E	F	G	H	J	K
10.02	5.40	5.13	1.67	4.92	9.18	5.50	6.53	10.50	1.50

DATE: June 27, 2013

						<b>A</b>	PRINTS TO	<b>CONTROL 7</b>
--	--	--	--	--	--	----------	-----------	------------------