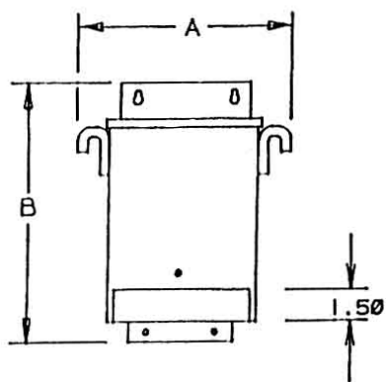
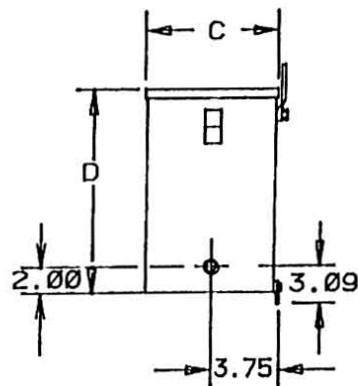


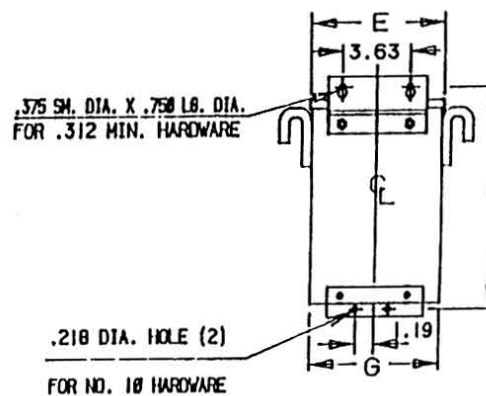
Revisions



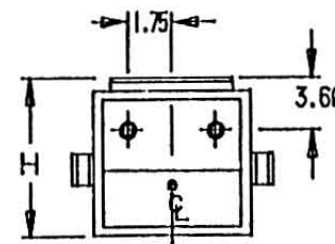
FRONT



SIDE

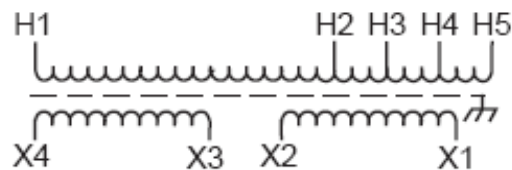


BACK



BOTTOM

Primary Volts	Connect Primary Lines To	Inter-Connect	Connect Secondary Lines To
277	H1, H5		
240	H1, H4		
208	H1, H3		
120	H1, H2		
Secondary Volts			
120		X1 to X3 X2 to X4	X1-X4
120/240		X2 to X3	X1-X2-X4
240		X2 to X3	X1-X4



KVA	CATALOG NUMBER	VOLTAGE		WIRING DIAGRAM	WEIGHT	PHASE	FREQ.
		HIGH	LOW				
3.0	T-2-79743-S	120/208/240/277	120/240		55 Lbs	1φ	60 Hz

TYPICAL PERFORMANCE DATA

Winding Rise	115°C
Insulation	180°C
Sound Level	40 dB

Standards:	UL/CSA	IMPEDANCE	
------------	--------	-----------	--

Enclosure: NEMA-3R

Typical Efficiency	
Full Load Losses	
No Load Losses	

A	B	C	D	E	F	G	H		
10.31	12.50	6.65	10.19	7.81	11.50	7.68	7.13		



File No.

UL - E79947

CSA - 7357

A

PRINTS TO

CONTROL
7