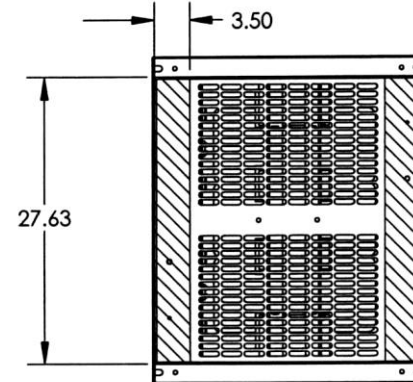
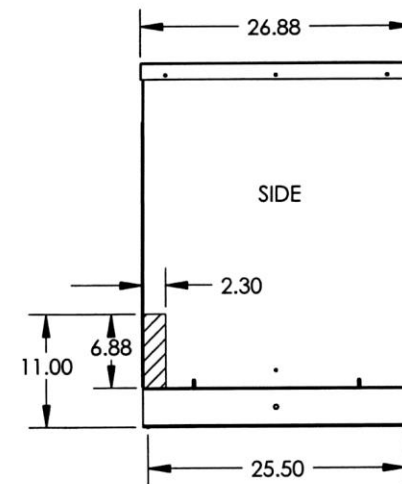
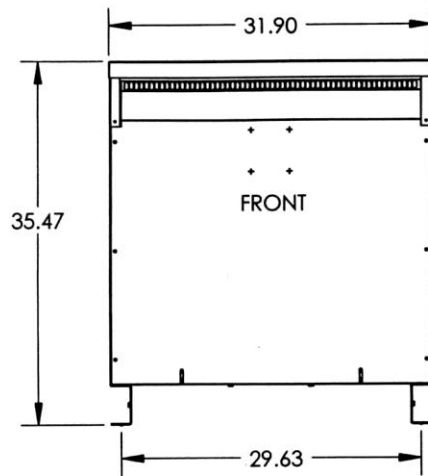


Primary Volts	Alt Rating	Connect Primary Lines To	Inter-Connect	Connect Secondary Lines To
600	480	H1, H2, H3	1	
570	456	H1, H2, H3	2	
540	432	H1, H2, H3	3	
Secondary Volts				
480	380			X1, X2, X3
277 1 phase	220 1 phase			X1 to X0 X2 to X0 X3 to X0



Revisions



Type No.

DRAWN:

DATE:

CASE 3

NOTE: PRIMARY AND SECONDARY BUS AREA IN FRONT OF CASE.

KEY: DENOTES CONDUIT AREAS

KVA	CATALOG NUMBER	VOLTAGE		WEATHER SHIELD	WEIGHT	PHASE	FREQ.
		HIGH	LOW				
500/400	T-2A-52719-1	600/480	480/380	WSA3	790 Lbs	3φ	60 Hz

Winding Rise:	150°C
Insulation:	220°C
Sound Level:	60db

TYPICAL PERFORMANCE DATA

Autotransformer	(Auto)
Standards:	UL/CSA

Windings:	AL
Impedance:	2.02%

Typical Efficiency-35%	99.1%
No Load Losses:	444W
Full Load Losses:	2,763W

		Control 7	A
--	--	--------------	----------