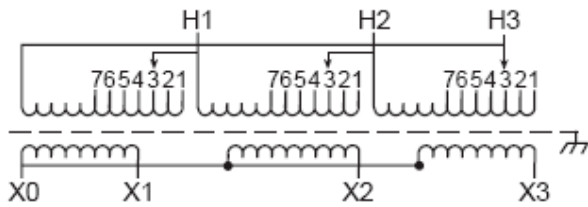
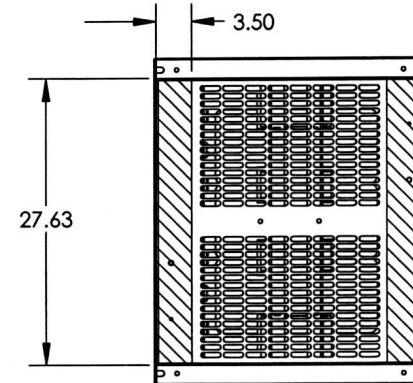
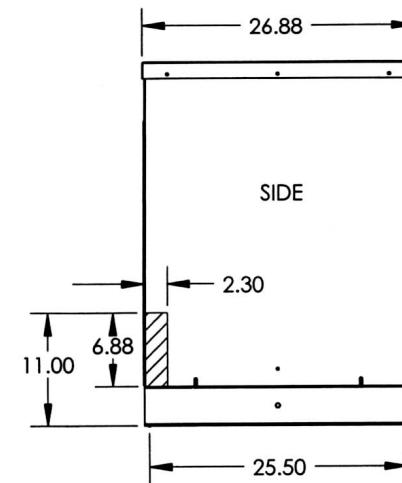
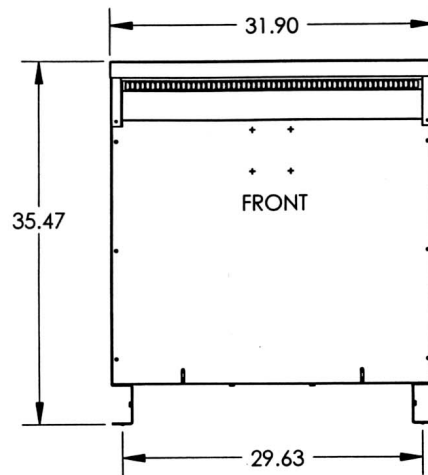


Revisions



Primary Volts	Connect Primary Lines To	Inter-Connect	Connect Secondary Lines To
399	H1, H2, H3	1	
390	H1, H2, H3	2	
380	H1, H2, H3	3	
371	H1, H2, H3	4	
361	H1, H2, H3	5	
352	H1, H2, H3	6	
342	H1, H2, H3	7	
Secondary Volts			
220			X1, X2, X3
127 1 phase			X1 to X0
			X2 to X0
			X3 to X0



NOTE: PRIMARY AND SECONDARY BUS AREA IN FRONT OF CASE.

KEY: DENOTES CONDUIT AREAS

KVA	CATALOG NUMBER	VOLTAGE		WEATHER SHIELD	WEIGHT	PHASE	FREQ.
		HIGH	LOW				
75	T-2A-79554-3S	380Δ	220Y/127	WS-A-3	693 Lbs	3φ	50 Hz

Winding Rise:	150°C
Insulation:	220°C
Sound Level:	50db

TYPICAL PERFORMANCE DATA

Regulation @ 100% PF:	
Standards:	UL/CSA

Windings:	AL
Impedance:	

Typical Efficiency:	
No Load Losses:	
Full Load Losses:	

ACME ELECTRIC

Type No.

DRAWN:

DATE: August 27, 2015

CASE

Control
7

A