

Revisions

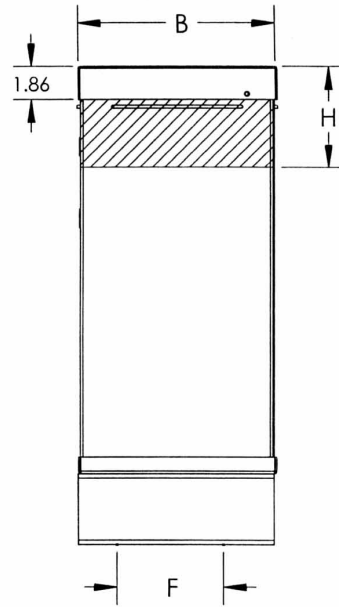
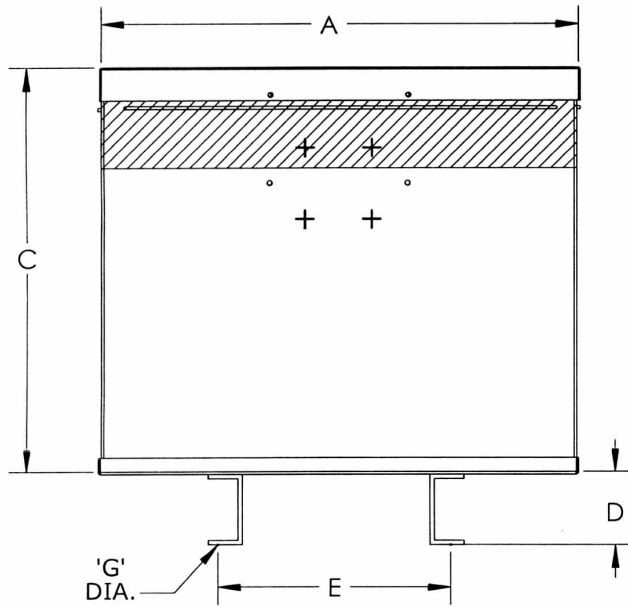
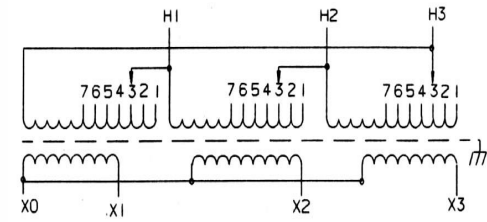
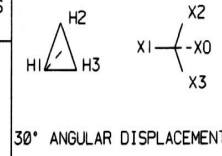


Fig. 1



PRIMARY VOLTS	%	CONNECT LEADS TO TAP NO.
504	105	1
492	102.5	2
480	100	3
468	97.5	4
456	95	5
444	92.5	6
432	90	7



PRIMARY LINES TO H1-H2-H3
SECONDARY LINES TO X0-X1-X2-X3

- NOTES:
1. DENOTES CONDUIT AREAS.
2. TYPICAL, 4 - SIDES



KVA	A	B	C	D	E	F	G	H	WT.
30	27.13	11.14	22.96	4.00	11.72	9.38	0.63	5.70	613
45	30.18	12.76	23.46	4.00	14.50	11.00	0.63	5.70	780
75	34.68	15.25	24.96	4.00	18.00	13.50	0.63	5.80	1126

KVA	CATALOG NUMBER	VOLTAGE		WIRING DIAGRAM	WEIGHT	PHASE	FREQ.
		HIGH	LOW				
75	T-3-79314-3S	480Δ	208Y/120	1	1126 Lbs	3φ	60 Hz

Winding Rise:	115°C
Insulation:	180°C
Sound Level:	50db

TYPICAL PERFORMANCE DATA

Regulation @ 100% PF:	
Standards:	UL/CSA

Windings:	AL
Impedance:	

Typical Efficiency:	
No Load Losses:	
Full Load Losses:	

Type No.

DRAWN: ADR

DATE: September 25, 2008

		Control 7	A
--	--	--------------	---