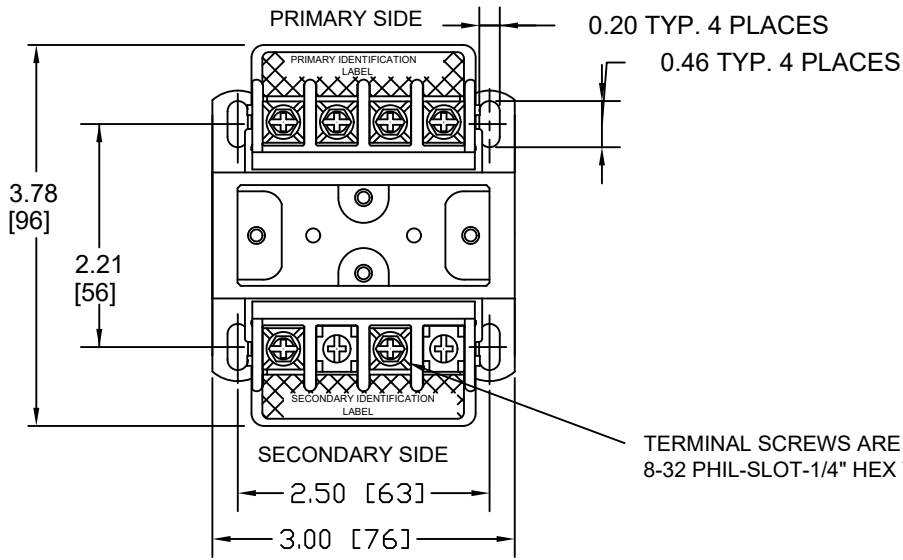
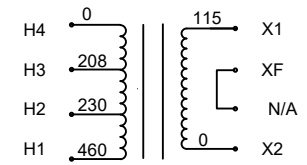


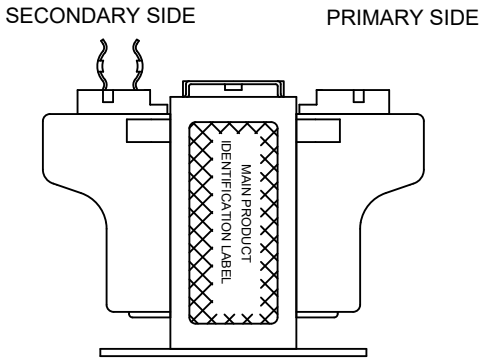
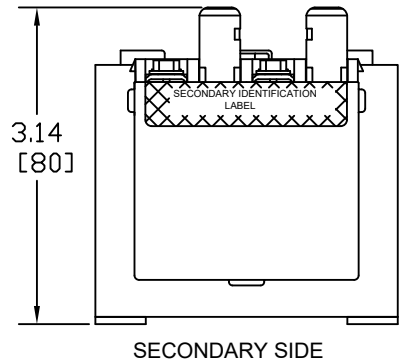
8 7 6 5 4 3 2 1



Transformer Specifications	
PRIMARY VOLTAGE(S)	208/230/460
SECONDARY VOLTAGE(S)	115
RATED V.A.	50
RATED FREQUENCY	50/60
INSULATION CLASS	105
AGENCY APPROVALS	UL,CUL
ESTIMATED WEIGHT	2.5 LBS



INTERNALLY JUMPERED TO FUSE TERMINAL
CONNECTION DIAGRAM



- NOTE:
1. TORQUE CONNECTIONS TO 16 LB-IN
 2. FUSE CLIPS TO ACCOMADATE 13/32-1 1/2"
 3. ALL MEASURMENTS IN INCHES (MM)

REV	ECO	DESCRIPTION	BY	ENG	DATE

	NAME	DATE
DRAWN	AJP	11-11-11
CHECKED	AJP	11-11-11
ENG APPR.	AJP	11-11-11



TITLE:	ICT		
SCALE:	1:1		
SHEET	1 OF 1	SIZE	B
DWG. NO.	TB50A005C	REV	A

PROPRIETARY AND CONFIDENTIAL
THE INFORMATION CONTAINED IN THIS DRAWING IS THE SOLE PROPERTY OF ACME ELECTRIC. ANY REPRODUCTION IN PART OR AS A WHOLE WITHOUT THE WRITTEN PERMISSION OF ACME ELECTRIC IS PROHIBITED.

DO NOT SCALE DRAWING

8 7 6 5 4 3 2 1