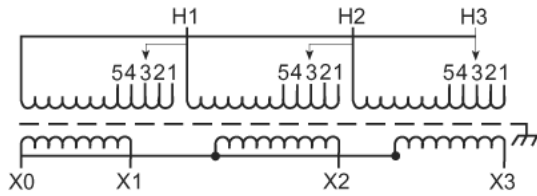


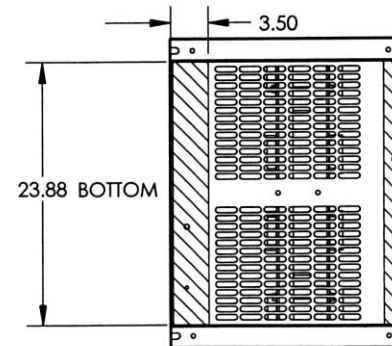
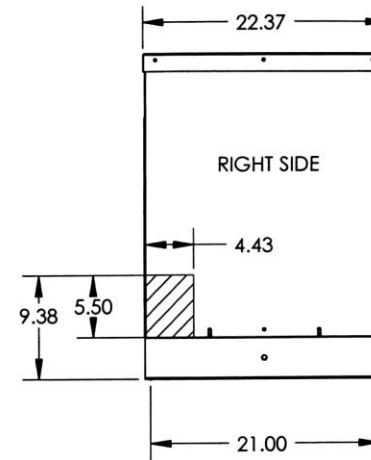
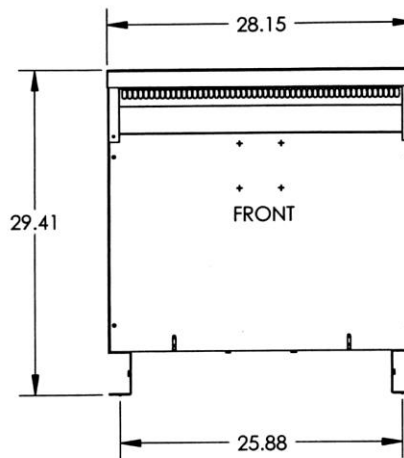
# Revisions



Primary Volts	%	Connect Leads to Tap No.
484	110	1
462	105	2
440	100	3
418	95	4
396	90	5

### Secondary Volts

220		X1, X2, X3
127 1 phase		X1 to X0 X2 to X0 X3 to X0



NOTE: PRIMARY AND SECONDARY BUS AREA IN FRONT OF CASE.

KEY: DENOTES CONDUIT AREAS



Type No.

DRAWN:

DATE: December 2, 2014

## CASE 2

KVA	CATALOG NUMBER	VOLTAGE		WEATHER SHIELD	WEIGHT	PHASE	FREQ.
		HIGH	LOW				
50	<b>TF-22050-5S</b>	440Δ	220Y/127	WS-A-2	437 Lbs	3φ	50 Hz

Winding Rise:	150°C
Insulation:	220°C
Sound Level:	45db

### TYPICAL PERFORMANCE DATA

Regulation @ 100% PF:	
Standards:	UL/CSA

Windings:	AL
Impedance:	

Typical Efficiency:	
No Load Losses:	
Full Load Losses:	

Control  
7

A