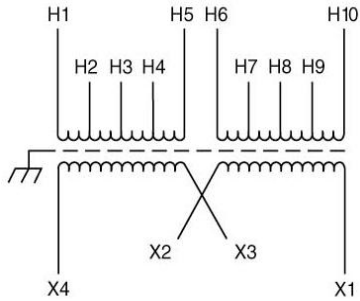
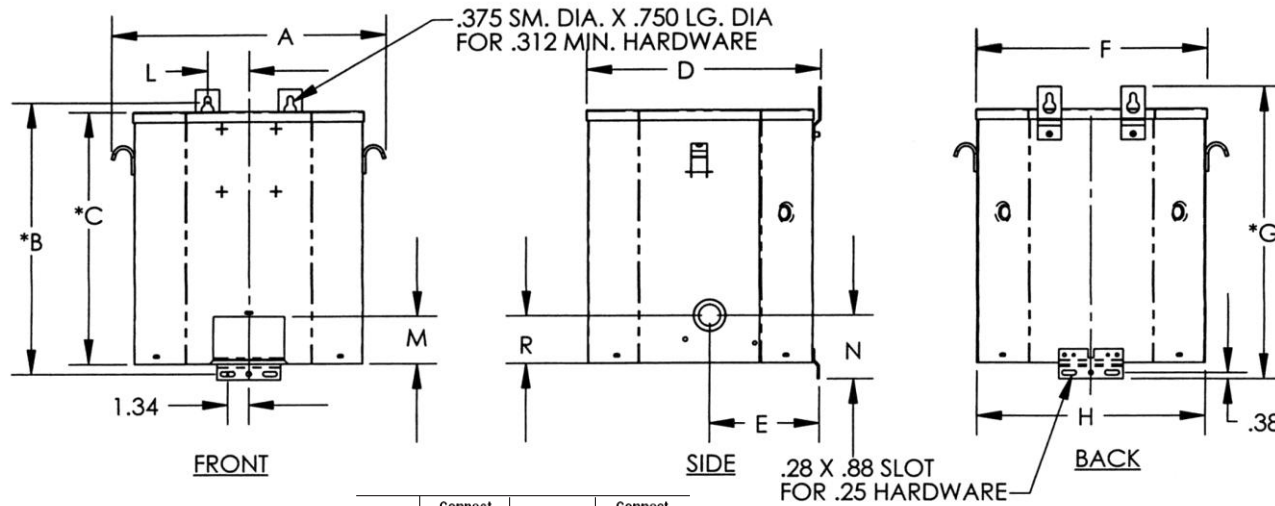
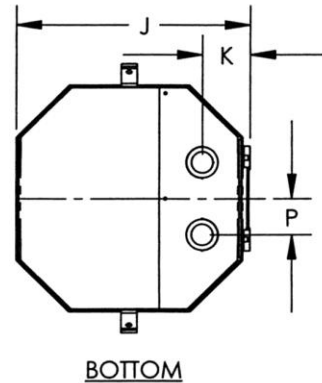


Revisions



Primary Volts	Connect Primary Lines To	Inter-Connect	Connect Secondary Lines To
190	H1 & H7	H1 to H6 H2 to H7	
208	H1 & H8	H1 to H6 H3 to H8	
220	H1 & H9	H1 to H6 H4 to H9	
240	H1 & H10	H1 to H6 H5 to H10	
380	H1 & H7	H2 to H6	
416	H1 & H8	H3 to H6	
440	H1 & H9	H4 to H6	
480	H1 & H10	H5 to H6	
Secondary Volts			
240		X2 to X3	X1 - X4
120/240		X2 to X3	X1 - X2 - X4
120		X1 to X3 X2 to X4	X1 - X4



KVA	CATALOG NUMBER	VOLTAGE		Wiring	WEIGHT	PHASE	FREQ.
		HIGH	LOW				
25	TF-2-79267-S	190/208/220/240 380/416/440/480	120/240		300 Lbs	1φ	50 Hz

TYPICAL PERFORMANCE DATA

Winding Rise	115°C
Insulation	180°C
Sound Level	45 dB

Regulation @ 100% PF	1.1%
----------------------	------

IMPEDANCE	2.32%
-----------	-------

Typical Efficiency	98.41%
No Load Losses	199W
Full Load Losses	405W

A	B	C	D	E	F	G	H	J	K	L	M	N	P	R
16.13	17.43	16.06	13.34	4.58	13.75	18.44	13.63	13.13	2.68	2.44	3.00	3.13	2.00	3.00



Type No.

DATE:

DRAWN:

ADR

A

PRINTS TO

CONTROL
7