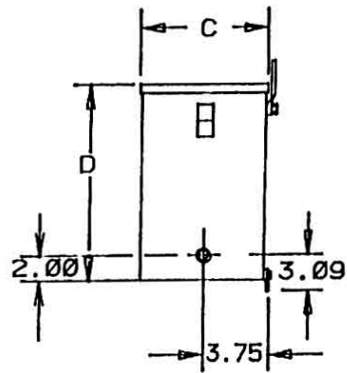
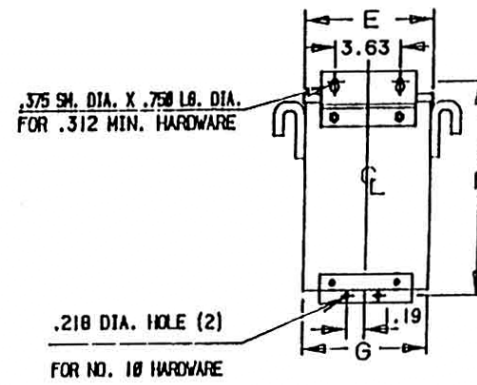


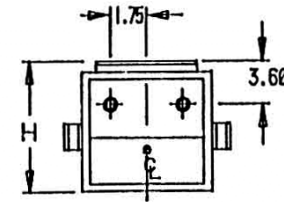
FRONT



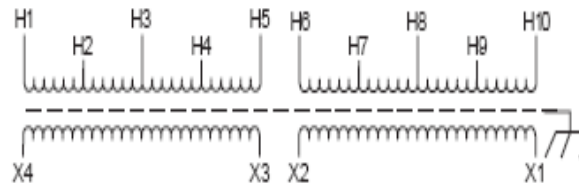
SIDE



BACK



BOTTOM



Primary Volts	Connect Primary Lines To	Inter-Connect	Connect Secondary Lines To
190	H1 & H7	H1 to H6 H2 to H7	
200	H1 & H8	H1 to H6 H3 to H8	
208	H1 & H9	H1 to H6 H4 to H9	
220	H1 & H10	H1 to H6 H5 to H10	
380	H1 & H7	H2 to H6	
400	H1 & H8	H3 to H6	
415	H1 & H9	H4 to H6	
440	H1 & H10	H5 to H6	

Secondary Volts			
220		X2 to X3	X1-X4
110/220		X2 to X3	X1-X2-X4
110		X1 to X3 X2 to X4	X1-X4

KVA	CATALOG NUMBER	VOLTAGE		Enclosure	WEIGHT	PHASE	FREQ.
		HIGH	LOW				
5.0	TF-2-79303-S	190/200/208 /220	110/220	NEMA 2D	75 Lbs	1 ϕ	50/60

TYPICAL PERFORMANCE DATA

Winding Rise	115°C
Insulation	180°C
Sound Level	45 dB

Windings:	CU	Standard	UL/CSA/CE
-----------	----	----------	-----------

Typical Efficiency	
Full Load Losses	
No Load Losses	

A	B	C	D	E	F	G	H
10.31	15.63	6.65	13.06	7.81	14.38	7.68	7.13



Type No.

A

PRINTS TO

CONTROL 7