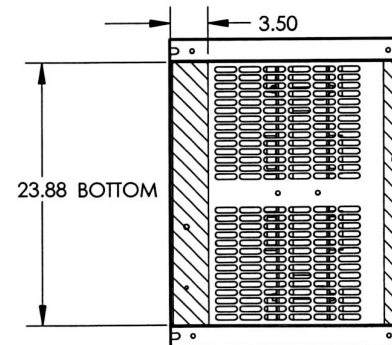
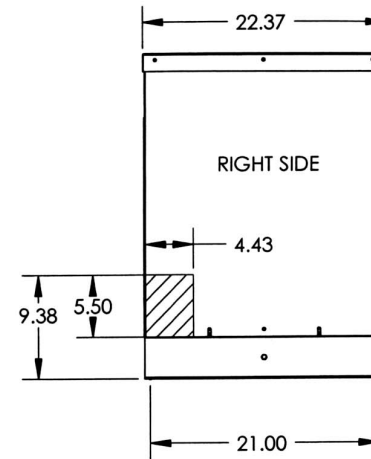
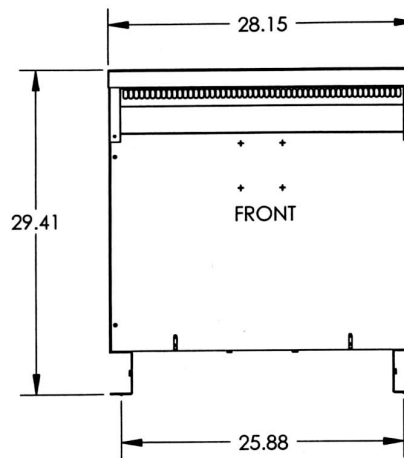
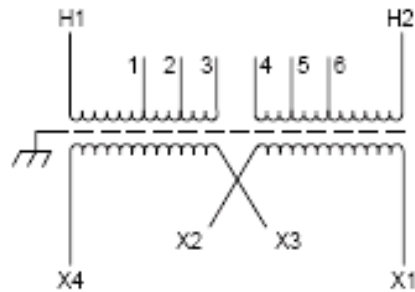


Revisions



Primary Volts	Connect Primary Lines To	Inter-Connect	Connect Secondary Lines To
540	H1-H2	1-6	
555	H1-H2	1-5	
570	H1-H2	2-6	
585	H1-H2	2-5	
600	H1-H2	3-5	
615	H1-H2	2-4	
635	H1-H2	3-4	
Secondary Volts			
240		X2 to X3	X1-X4
120/240		X2 to X3	X1-X2-X4
120		X1 to X3 X2 to X4	X1-X4

KVA	CATALOG NUMBER	VOLTAGE		WEATHER SHIELD	WEIGHT	PHASE	FREQ.
		HIGH	LOW				
50	TP531203S	600	120/240	WS-A-2	340Lbs	1 ϕ	60 Hz

Winding Rise:	150°C
Insulation:	220°C
Sound Level:	45db

TYPICAL PERFORMANCE DATA

Regulation @ 100% PF:	2.89%
Standards:	DOE 2016

Windings:	AL
Impedance:	4.45%

Typical Efficiency:	97.29%
No Load Losses:	180 W
Full Load Losses:	888 W

Type No.

DRAWN:

DATE: August 27, 2015

CASE

Control
7

A

ACME ELECTRIC