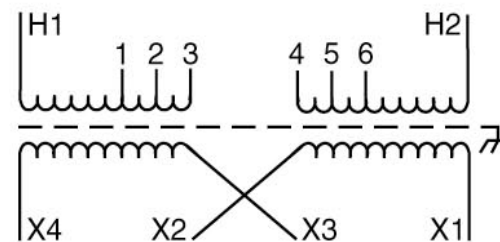
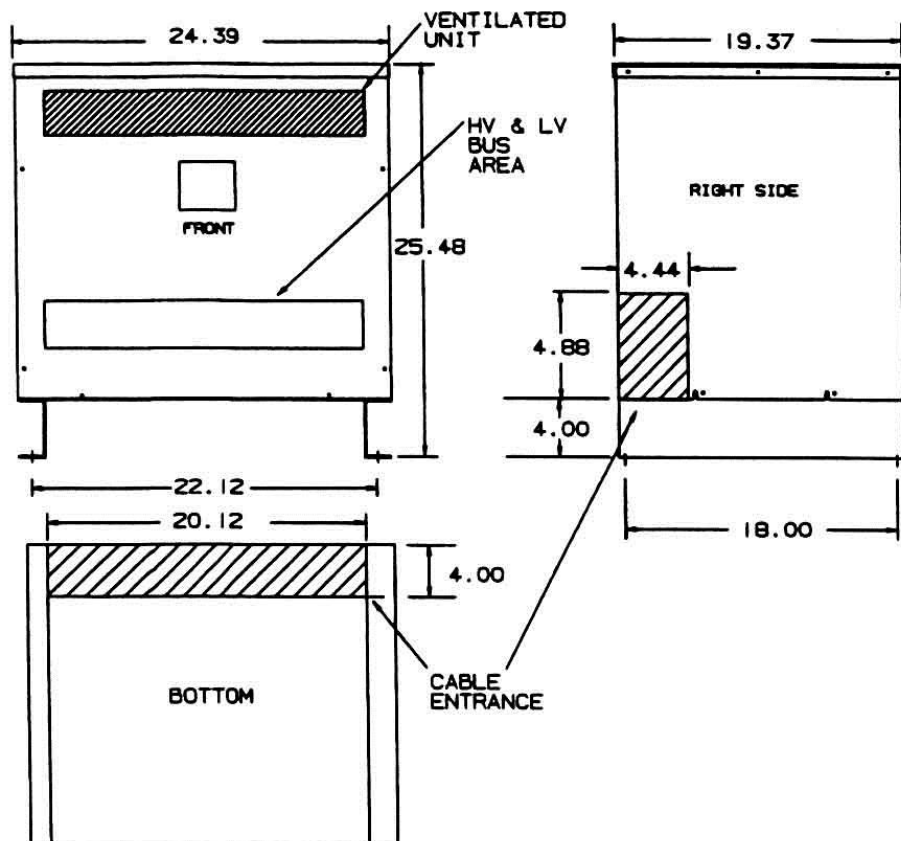


# Revisions



Primary Volts	Connect Primary Lines To	Inter-Connect	Connect Secondary Lines To
208	H1 & H2	3 to 4	
198	H1 & H2	2 to 5	
187	H1 & H2	1 to 6	

Secondary Volts			
240		X2 to X3	X1-X4
120/240		X2 to X3	X1-X2-X4
120		X1 to X3 X2 to X4	X1-X4



KVA	CATALOG NUMBER	VOLTAGE		WEATHER SHIELD	WEIGHT	PHASE	FREQ.
		HIGH	LOW				
37.5	<b>TP536491S</b>	208	240/120	WSA1	265 Lbs	1φ	60 Hz

### TYPICAL PERFORMANCE DATA

Winding Rise	150°C
Insulation	220°C
Sound Level	45 dB

Windings	AL
----------	----

IMPEDANCE	5.12%
-----------	-------

Typical Efficiency	98.33%
No Load Losses	118 W
Total Load Losses	1,272 W

Type No.