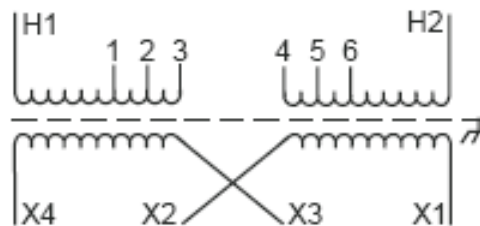
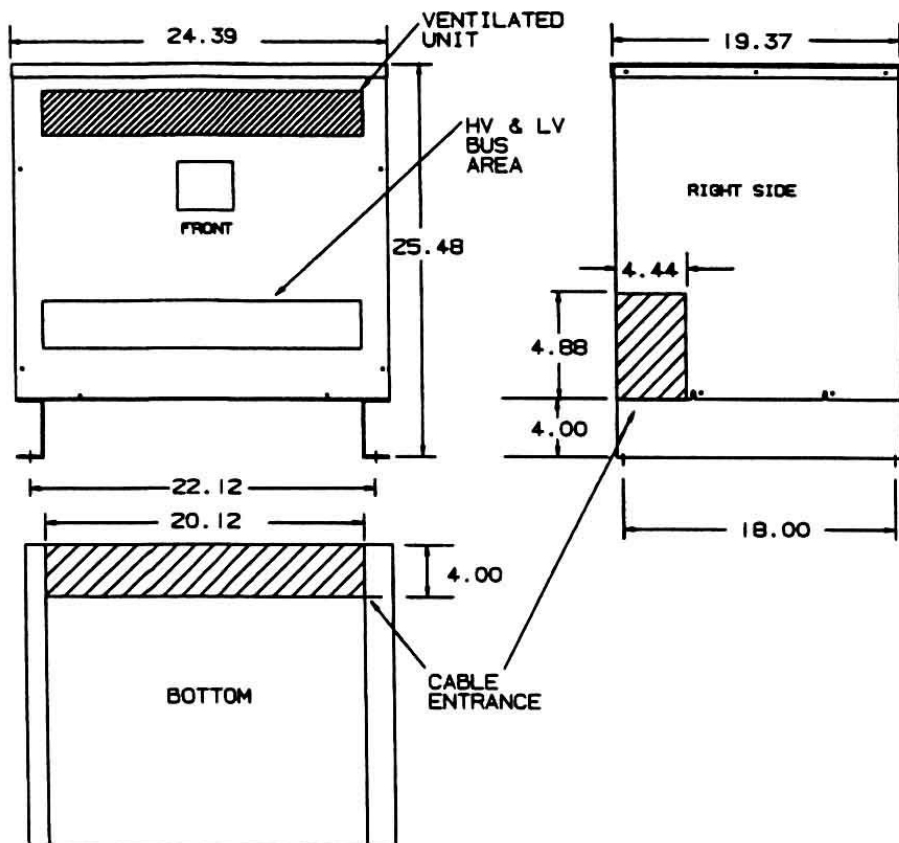


# Revisions



Primary Volts	Connect Primary Lines To	Inter-Connect	Connect Secondary Lines To
218	H1 & H2	3 to 4	
213	H1 & H2	2 to 4	
208	H1 & H2	3 to 5	
203	H1 & H2	2 to 5	
198	H1 & H2	1 to 5	
192	H1 & H2	2 to 6	
187	H1 & H2	1 to 6	
Secondary Volts			
240		X2 to X3	X1-X4
120/240		X2 to X3	X1-X2-X4
120		X1 to X3 X2 to X4	X1-X4



KVA	CATALOG NUMBER	VOLTAGE		WEATHER SHIELD	WEIGHT	PHASE	FREQ.
		HIGH	LOW				
50	<b>TP536503S</b>	208	240/120	WS-A-1	350 Lbs	1 $\phi$	60 Hz

### TYPICAL PERFORMANCE DATA

Winding Rise	150°C
Insulation	220°C
Sound Level	45 dB

Windings	AL
----------	----

IMPEDANCE	4.52%
-----------	-------

Typical Efficiency	98.5%
No load Losses	158 W
Total Load Losses	1,532 W

Type No.

						<b>A</b>	PRINTS TO	<b>CONTROL 7</b>	<b>A</b>
--	--	--	--	--	--	----------	-----------	------------------	----------