

Project Number
18.00898



HUBBELL
Lighting

Date
5/30/2018

Sphere

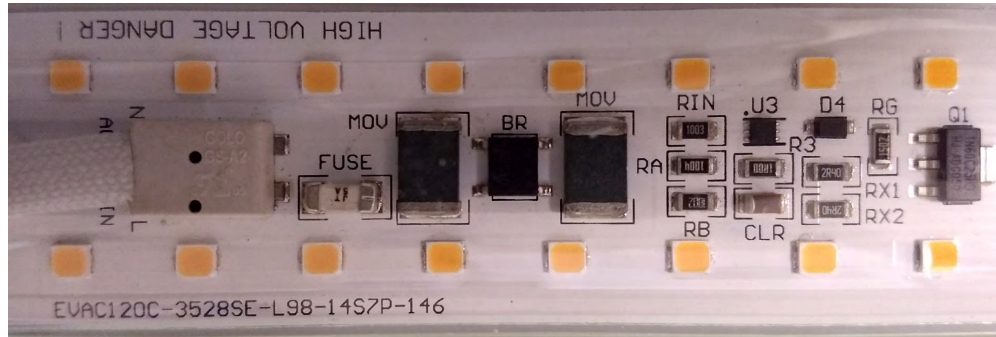
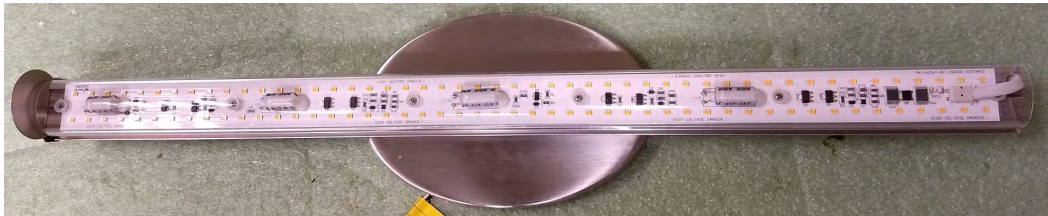
Test Sample Description

Catalog Number: P300183
Description: 1-Lt. LED Bath

Test Methods: IES LM-16-93
IES LM-79-08 § 9.1 & 12.1

Preburn Time: 0:10
Time To Stabilize: 1:09
Total Operating Time: 1:19

Input Voltage (Volts): 120.0
Input Current (Amps): 0.302
Input Wattage (Watts): 36.0
Ambient Temp (°C): 24.3



Hubbell Lighting, Inc.

701 Millennium Boulevard
Greenville, SC 29607
www.hubbellighting.com

Checked: B. LEE

Approved: N. DeVOL



This report shall not be used to claim product certification, approval, or endorsement by NVLAP, NIST, or any agency of the federal government.

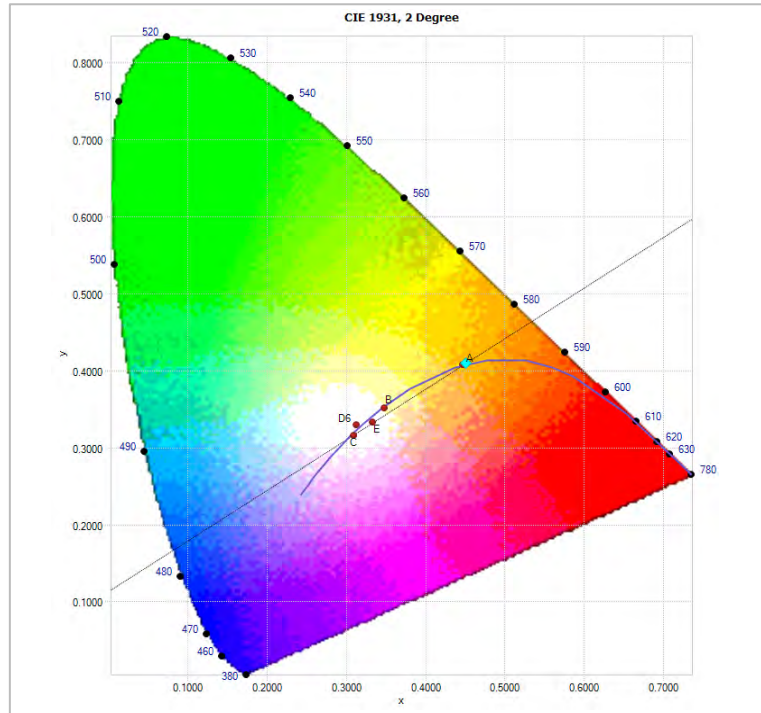


HUBBELL
Lighting

Lamp Cat#: EVAC120C-3528SE-L98-14S7P-146
Lamp Desc: 98 - Seoul 3000K LEDs
Driver Desc:

Efficacy: 60.2 LPW S/P Ratio: 1.3 LM/LM

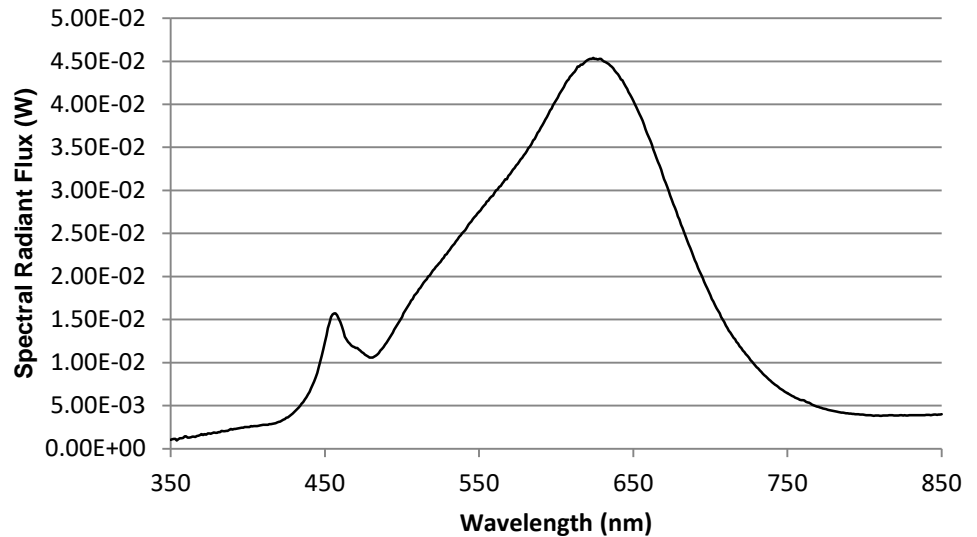
Chromaticity Diagram



Spectral Results

Name	Value	Unit
Φ	8.34	watts
Φ(v)	2166	lumens
Φ(v')	2912	lm'
Chrom x	0.451	
Chrom y	0.4105	
Chrom u	0.2568	
Chrom v	0.3507	
Duv	0.0008	
Chrom u'	0.2568	
Chrom v'	0.526	
CCT	2826	K
Purity	58.6	%
λ (dom)	583.3	nm
FWHM	159.1	nm
λ (peak)	625.7	nm
λ (center)	608.7	nm
λ (centroid)	606.5	nm
SDCM	Cool White	
RA	94	
Corr. Coef.	0.00083341	
Correlation	0.0054	
R1	93.8	
R2	96.9	
R3	98.6	
R4	93.6	
R5	93.4	
R6	96.7	
R7	93.2	
R8	84.2	
R9	65.0	
R10	91.7	
R11	94.1	
R12	87.0	
R13	94.6	
R14	98.5	

Spectral Distribution of Radiant Flux



Project Number
18.00898



Date
5/30/2018

Sphere Calibration

Calibration Lamp: EIKO 28V75W/E10

Lamp Number: SCL-1400-J136

Calibration Current: 2.679 Amps

Total Luminous Flux: 1427 Lumens

Test Equipment Used

<i>Instrument</i>	<i>Manufacturer / Model</i>	<i>S/N</i>	<i>Calibration Due:</i>
<i>3-Meter Sphere</i>	Labsphere / LMS-3M	N/A	Calibration Checked Daily
<i>Temperature Meter</i>	National Instruments / USB TC01	1912751	10/26/2018
<i>LAMP Power Meter</i>	Yokogawa / WT332	C2QA27075V	10/25/2018
<i>Power Supply</i>	Chroma / 61602	616020002113	N/A
<i>Aux Lamp Supply</i>	Labsphere / LPS-100-0833	0331159372	N/A
<i>Cal Lamp Supply</i>	Labsphere / LPS-150-0268	1218148505	N/A
<i>Spectrometer</i>	Labsphere / CDS 1100	0624117792	N/A

Hubbell Lighting, Inc.

701 Millennium Boulevard
Greenville, SC 29607
www.hubbellighting.com

This report shall not be used to claim product certification, approval, or endorsement by NVLAP, NIST, or any agency of the federal government.