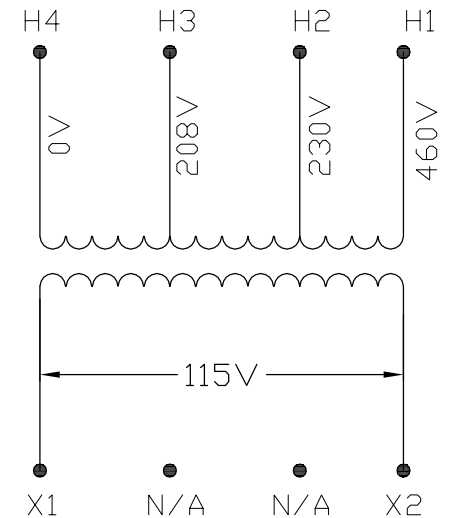
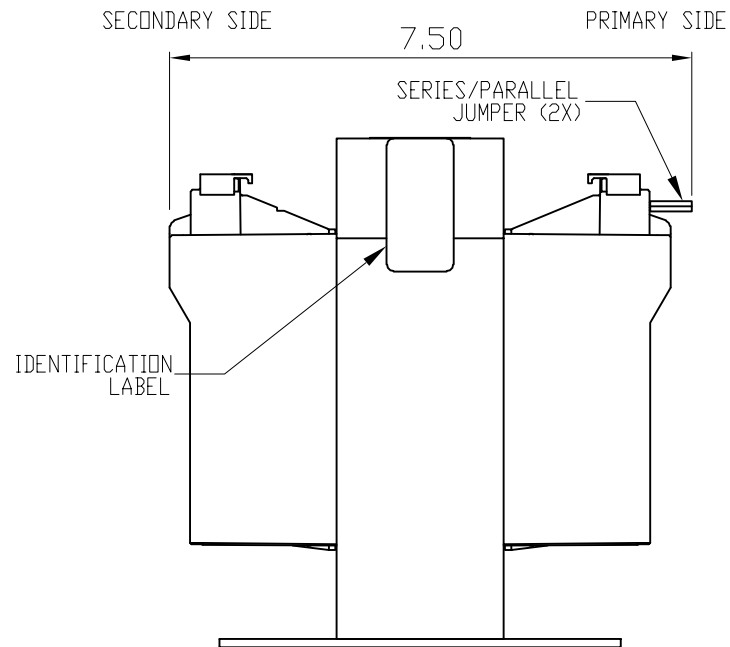



TRANSFORMER SPECIFICATIONS	
PRIMARY VOLTAGE(S)	208/230/460
SECONDARY VOLTAGE(S)	115
RATED V.A.	3000
RATED FREQUENCY	50 / 60
INSULATION CLASS	180°C @ MAX. RISE 115°C
AGENCY APPROVALS	UL, CUL
ESTIMATED WEIGHT	53.0 LBS



CONNECTION DIAGRAM

DIMENSIONS ARE IN INCHES TOLERANCES: .XX ± .03 .XXX ± .010 ANGULAR: ± 1°	NAME	DATE	 Acme Electric®
	DRAWN BY: VS	05/14/2020	
SOURCE: N/A	PROPRIETARY AND CONFIDENTIAL	DESCRIPTION:	
MATERIAL: N/A	THE INFORMATION CONTAINED IN THIS DRAWING IS THE SOLE PROPERTY OF ACME. ANY REPRODUCTION IN PART OR AS A WHOLE WITHOUT THE WRITTEN PERMISSION OF ACME IS PROHIBITED.	SIZE DWG. NO.	A CE3000N005
FINISH: N/A		DO NOT SCALE DRAWING	