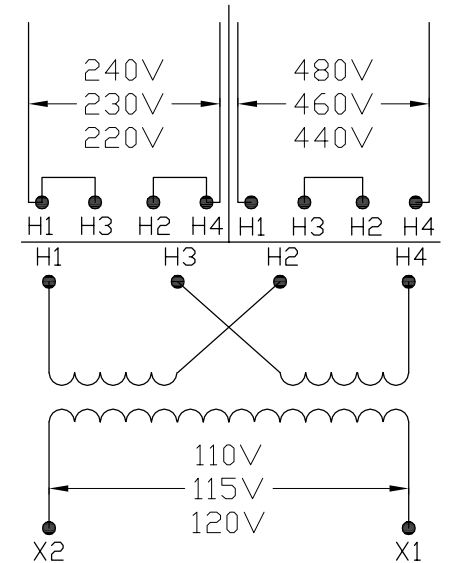
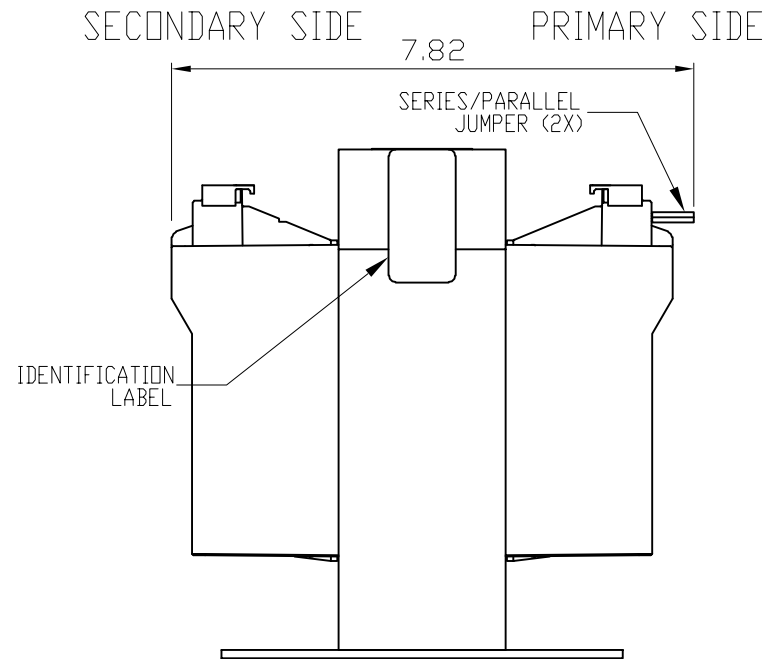
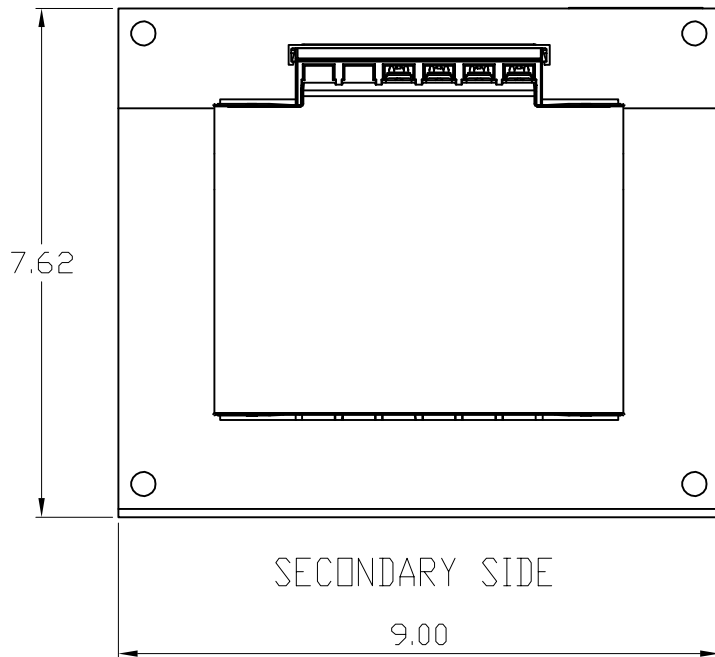



TRANSFORMER SPECIFICATIONS	
PRIMARY VOLTAGE(S)	230x460
SECONDARY VOLTAGE(S)	115
RATED V.A.	3000
RATED FREQUENCY	50 / 60
INSULATION CLASS	180°C @ MAX. RISE 115°C
AGENCY APPROVALS	UL, CUL
ESTIMATED WEIGHT	53.0 LBS



CONNECTION DIAGRAM

DIMENSIONS ARE IN INCHES TOLERANCES: .XX ± .03 .XXX ± .010 ANGULAR: ± 1°	NAME	DATE	 <b>Acme Electric®</b>
	DRAWN BY: VS	05/14/2020	
SOURCE: N/A	CHECKED BY:		DESCRIPTION: 3000 VA
MATERIAL: N/A	PROPRIETARY AND CONFIDENTIAL THE INFORMATION CONTAINED IN THIS DRAWING IS THE SOLE PROPERTY OF ACME. ANY REPRODUCTION IN PART OR AS A WHOLE WITHOUT THE WRITTEN PERMISSION OF ACME IS PROHIBITED.		SIZE DWG. NO: A CE3000N008
FINISH: N/A			
DO NOT SCALE DRAWING			