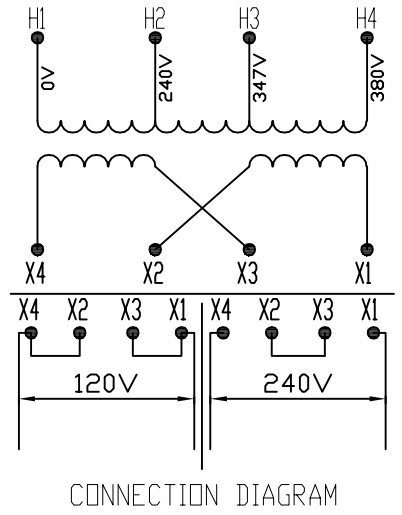
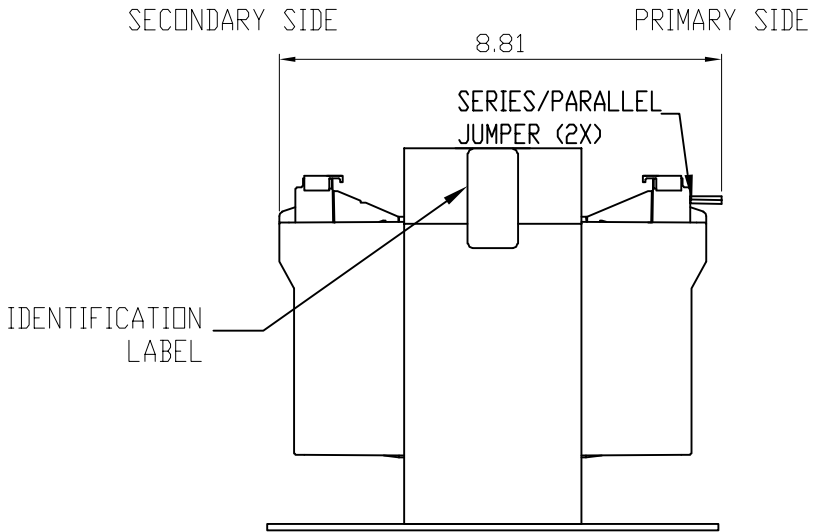
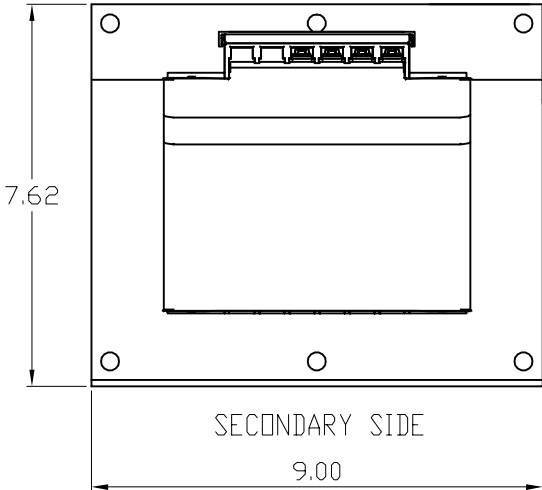
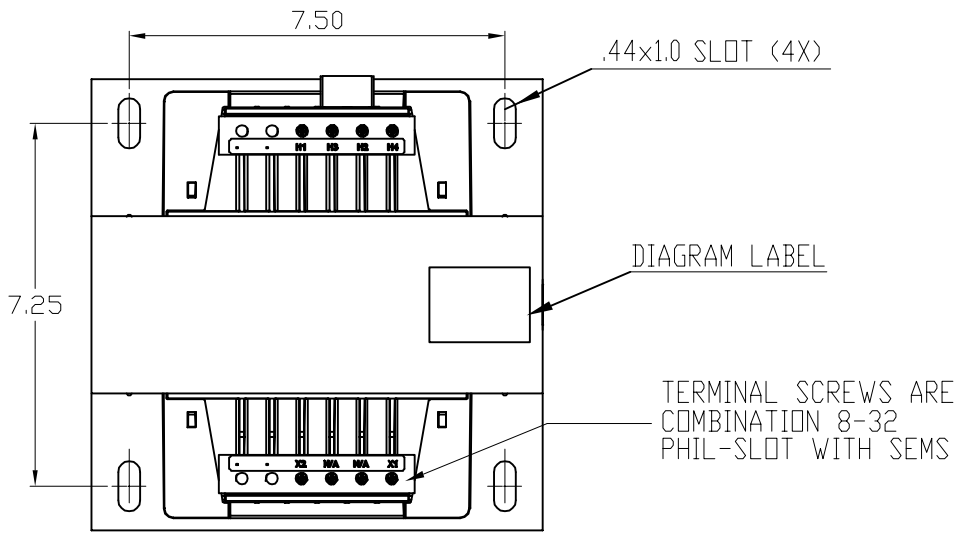



TRANSFORMER SPECIFICATIONS	
PRIMARY VOLTAGE(S)	240/347/380
SECONDARY VOLTAGE(S)	120x240
RATED V.A.	5000
RATED FREQUENCY	50 / 60
INSULATION CLASS	180°C @ MAX. RISE 115°C
AGENCY APPROVALS	UL, CUL
ESTIMATED WEIGHT	89.0 LBS



DIMENSIONS ARE IN INCHES TOLERANCES: .XX ± .03 .XXX ± .010 ANGULAR: ± 1°	NAME	DATE	 <b>Acme Electric®</b> DESCRIPTION: 5000 VA	
	DRAWN BY:	VS		05/14/2020
SOURCE	PROPRIETARY AND CONFIDENTIAL	CHECKED BY:		SIZE DWG. NO.
MATERIAL	THE INFORMATION CONTAINED IN THIS DRAWING IS THE SOLE PROPERTY OF ACME. ANY REPRODUCTION IN PART OR AS A WHOLE WITHOUT THE WRITTEN PERMISSION OF ACME IS PROHIBITED.			A CE5000N012
FINISH		DO NOT SCALE DRAWING		