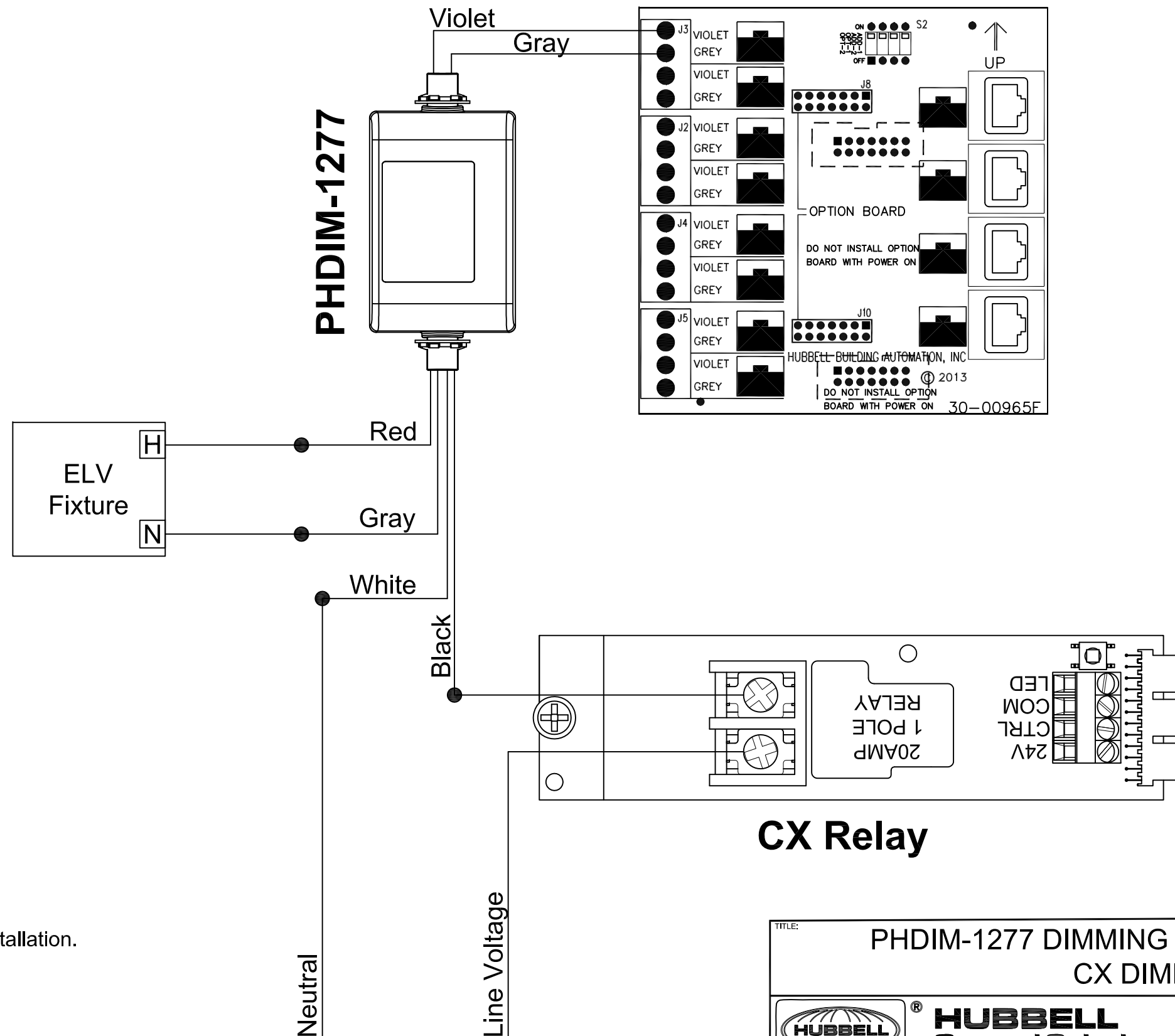


CXCONTRBD



NOTE:

Disconnect power prior to installation.

TITLE: PHDIM-1277 DIMMING ELV FIXTURE USING CX DIMMERS	
 HUBBELL Control Solutions	THIS DOCUMENT AND SPECIFICATIONS DESCRIBED WITHIN ARE THE EXCLUSIVE PROPERTY OF HUBBELL CONTROL SOLUTIONS ISSUED IN THE STRICTEST CONFIDENCE, AND SHALL NOT BE REPRODUCED, COPIED OR USED WITHOUT PRIOR WRITTEN PERMISSION.
	DRAWN BY: AJ
701 Millennium Blvd. Greenville, SC 29607 www.Hubbell-Automation.com	DATE: 09/22/2017
Main Switchboard: (864) 678-1000 Technical Service: (800) 888-8006	PRODUCT FAMILY: PHDIM