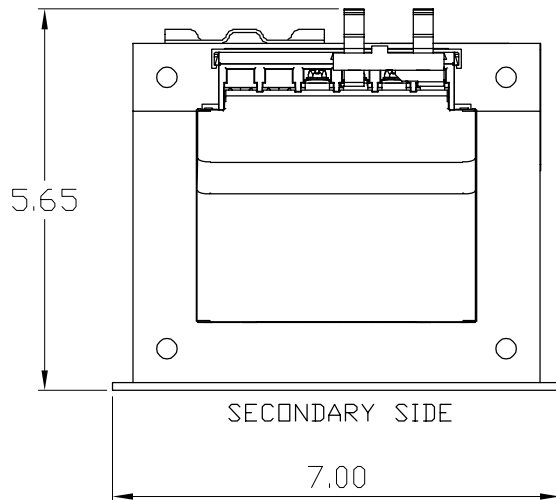
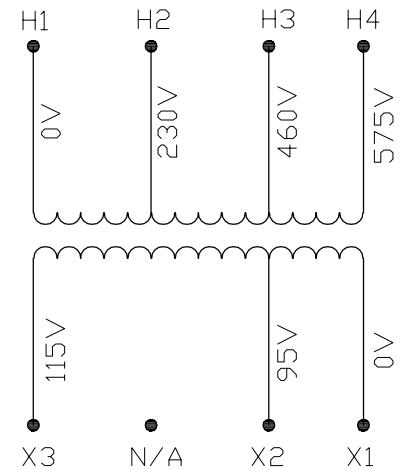
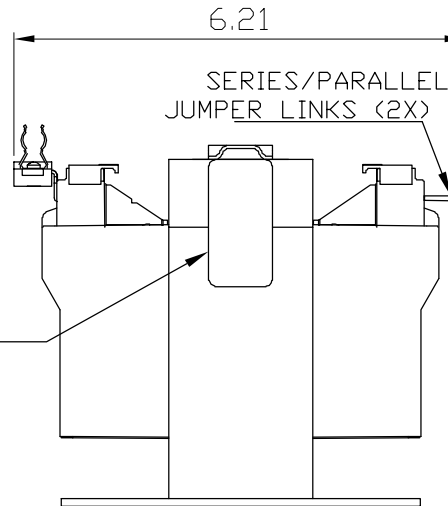


TRANSFORMER SPECIFICATIONS	
PRIMARY VOLTAGE(S)	230/460/575
SECONDARY VOLTAGE(S)	95/115
RATED V.A.	1000
RATED FREQUENCY	50 / 60
INSULATION CLASS	180°C @ MAX RISE 115°C
AGENCY APPROVALS	UL, CUL
IMPEDENCE	29.8 LBS



SECONDARY SIDE PRIMARY SIDE



CONNECTION DIAGRAM

DIMENSIONS ARE IN INCHES

TOLERANCES:

.XX ± .03

.XXX ± .010

ANGULAR: ± 1°

SOURCE

N/A

MATERIAL

N/A

FINISH

N/A

DO NOT SCALE DRAWING

NAME	DATE
DRAWN BY: VS	05/13/2020
CHECKED BY:	

PROPRIETARY AND CONFIDENTIAL

THE INFORMATION CONTAINED IN THIS DRAWING IS THE SOLE PROPERTY OF ACME. ANY REPRODUCTION IN PART OR AS A WHOLE WITHOUT THE WRITTEN PERMISSION OF ACME IS PROHIBITED.



DESCRIPTION:

1000 VA

SIZE DWG. NO.

A TB1000N011F0