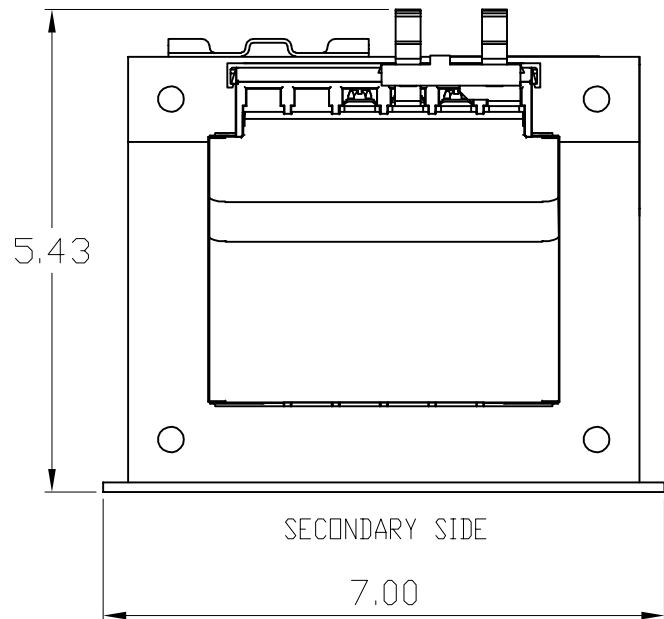


.31x1.1 SLOT (4X)

DIAGRAM LABEL

TERMINAL SCREWS ARE COMBINATION 8-32 PHIL-SLOT WITH SEMS

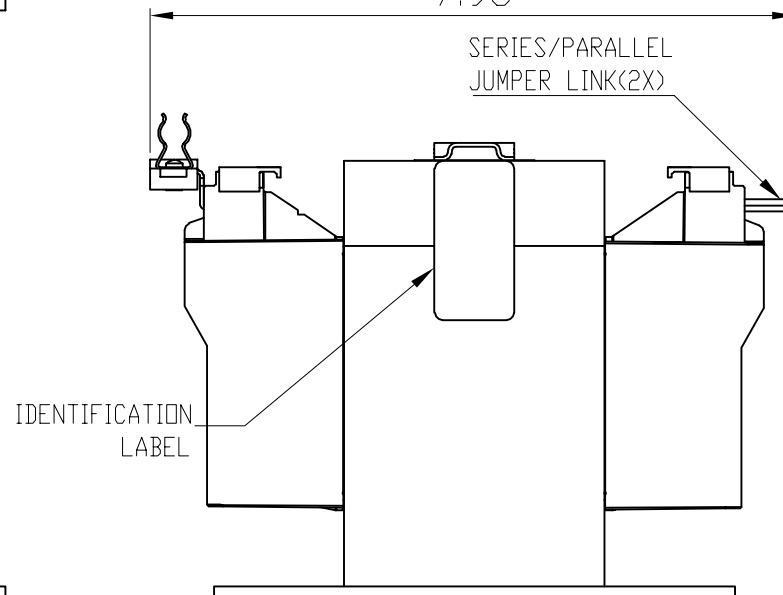


SECONDARY SIDE

SECONDARY SIDE

7.98

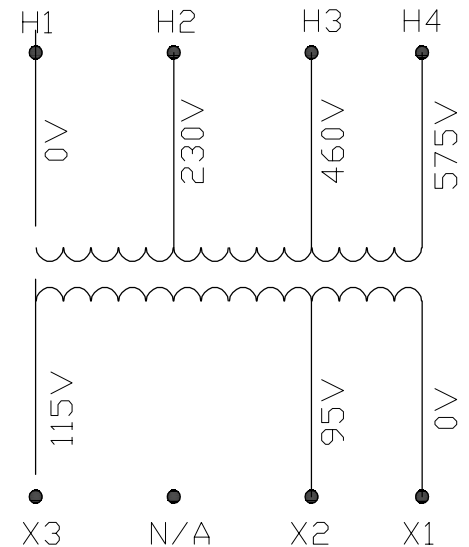
PRIMARY SIDE




SERIES/PARALLEL JUMPER LINK(2X)

IDENTIFICATION LABEL

TRANSFORMER SPECIFICATIONS	
PRIMARY VOLTAGE(S)	230/460/575
SECONDARY VOLTAGE(S)	95/115
RATED V.A.	1500
RATED FREQUENCY	50 / 60
INSULATION CLASS	180°C @ MAX. RISE 115°C
AGENCY APPROVALS	UL, CUL
ESTIMATED WEIGHT	38.0



CONNECTION DIAGRAM

DIMENSIONS ARE IN INCHES TOLERANCES: .XX ± .03 .XXX ± .010 ANGULAR: ± 1°	NAME	DATE	
	DRAWN BY: VS	05/13/2020	
SOURCE: N/A	CHECKED BY:		
MATERIAL: N/A	PROPRIETARY AND CONFIDENTIAL THE INFORMATION CONTAINED IN THIS DRAWING IS THE SOLE PROPERTY OF ACME. ANY REPRODUCTION IN PART OR AS A WHOLE WITHOUT THE WRITTEN PERMISSION OF ACME IS PROHIBITED.		SIZE DWG. NO. A TB1500N011F0
FINISH: N/A			
DO NOT SCALE DRAWING			