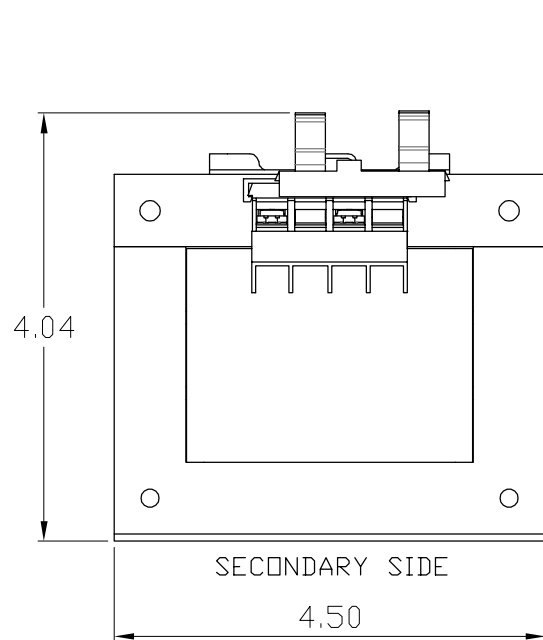
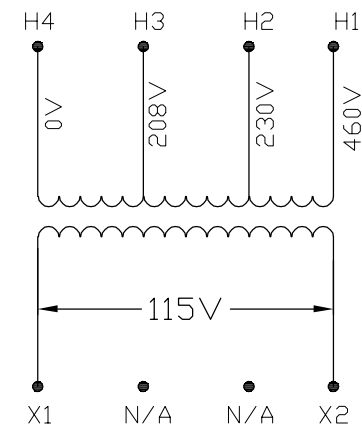
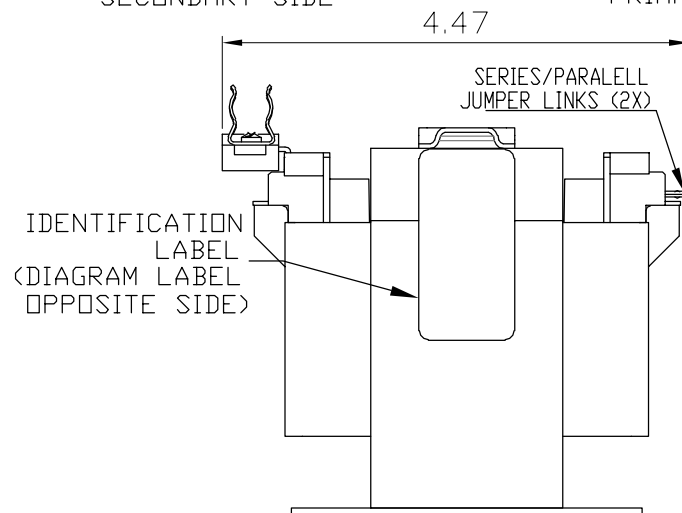


TRANSFORMER SPECIFICATIONS	
PRIMARY VOLTAGE(S)	208/230/460
SECONDARY VOLTAGE(S)	115
RATED V.A.	250
RATED FREQUENCY	50/60
INSULATION CLASS	130°C @ MAX. Rise 80°C
AGENCY APPROVALS	UL, CUL
ESTIMATED WEIGHT	10.0 LBS




SECONDARY SIDE PRIMARY SIDE



CONNECTION DIAGRAM

DIMENSIONS ARE IN INCHES	
TOLERANCES:	
.XX ± .03	
.XXX ± .010	
ANGULAR: ± 1°	
SOURCE	N/A
MATERIAL	N/A
FINISH	N/A
DO NOT SCALE DRAWING	

NAME	DATE
DRAWN BY: VS	05/07/2020
CHECKED BY:	
PROPRIETARY AND CONFIDENTIAL	
THE INFORMATION CONTAINED IN THIS DRAWING IS THE SOLE PROPERTY OF ACME. ANY REPRODUCTION IN PART OR AS A WHOLE WITHOUT THE WRITTEN PERMISSION OF ACME IS PROHIBITED.	

 <b>Acme Electric®</b>	
DESCRIPTION 250 VA	
SIZE	DWG. NO.
A	TB250N005F0