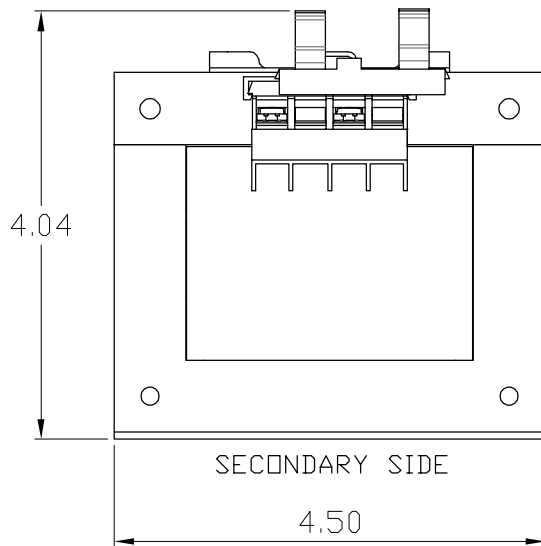
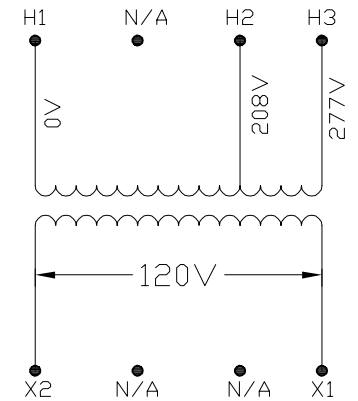
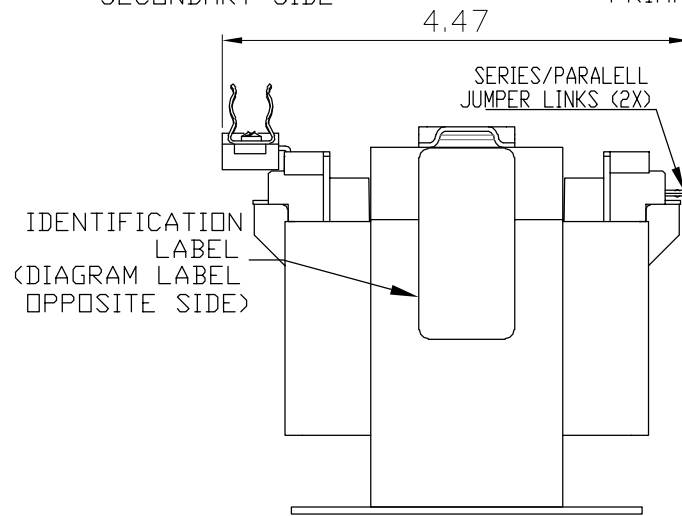


TRANSFORMER SPECIFICATIONS	
PRIMARY VOLTAGE(S)	208/277
SECONDARY VOLTAGE(S)	120
RATED V.A.	250
RATED FREQUENCY	50/60
INSULATION CLASS	130°C @ MAX. Rise 80°C
AGENCY APPROVALS	UL, CUL
ESTIMATED WEIGHT	10.0 LBS



SECONDARY SIDE PRIMARY SIDE



CONNECTION DIAGRAM

DIMENSIONS ARE IN INCHES

TOLERANCES:
 .XX ± .03
 .XXX ± .010
 ANGULAR: ± 1°

SOURCE N/A

MATERIAL N/A

FINISH N/A

DO NOT SCALE DRAWING

NAME	DATE
DRAWN BY: VS	05/08/2020
CHECKED BY:	

PROPRIETARY AND CONFIDENTIAL

THE INFORMATION CONTAINED IN THIS DRAWING IS THE SOLE PROPERTY OF ACME. ANY REPRODUCTION IN PART OR AS A WHOLE WITHOUT THE WRITTEN PERMISSION OF ACME IS PROHIBITED.



DESCRIPTION

250 VA

SIZE DWG. NO.

A

TB250N006F0